

# DC700

Adjustable power size 3 to 6 door closer featuring Cam-Motion® technology and guide rail.



## Features and benefits

- Allows precise control for doors that have to balance ease of access with the need for fire safety
- Easier door opening and improved accessibility due to rapidly decreasing torque, assisting the overall doorset in meeting the requirements of BS 8300
- Backcheck feature offers optimum protection for doors and walls
- Ideal for high traffic areas

## Classification code



EN 1154:1996+A1:2002



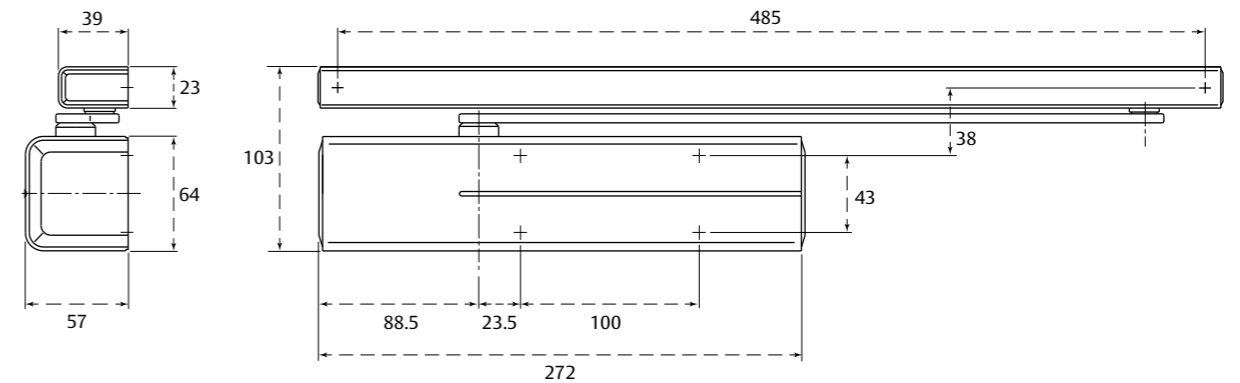
## Testing and certification

UKCA / CE marked	Yes
Certified in compliance with	EN 1154, BS 8300
Suitable for fire doors	Timber FD30/FD60/FD120, metal FD60/FD90/FD120/FD240
Certifiere approval	Yes
Guarantee	10 years

## Specification

Closing force	EN 3-6
Mechanism	Cam action
Closing speed	Variable between 170°-10°
Latching speed	Variable between 10°-0°
Backcheck	Variable above 75°
Delayed action	Yes, depending on model
Door width up to	1400mm
Maximum door weight	120kg
Maximum opening angle	160° (hinge side) / 120° (non-hinge side)
Height adjustable arm system	14mm
Mounting method	Hinge side, non-hinge side and transom mount
Handing	Non-handed
Dimensions (H x D x W)	64 x 57 x 272mm
Finish	SSS, SIL
Accessories	See door controls accessory section for items such as mechanical hold open, opening damper and mounting plates

## Dimensions



## How to order

Order code	Description	Finish
DC700A	Adjustable closer 3-6 with guide rail	SIL
DC700A/SS	Adjustable closer 3-6 with guide rail	SSS
DC700A+DA	Adjustable closer delayed action 3-6 with guide rail	SIL
DC700A+DA/SS	Adjustable closer delayed action 3-6 with guide rail	SSS