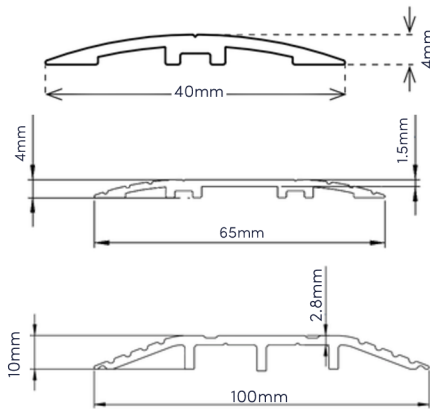


CONTENTS

Threshold plate
(Fixings not supplied)

SIZES AVAILABLE



TOOLS REQUIRED

Tape measure
Marker/pencil
Saw (hand or power)

For screw fix:

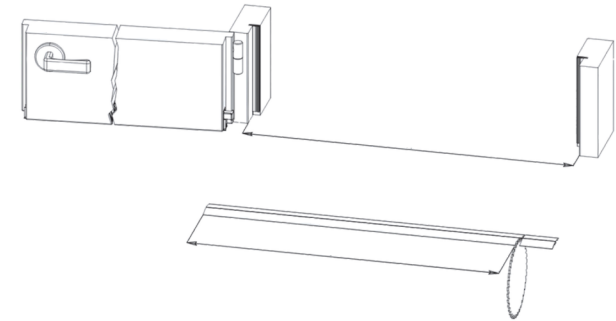
Power drill
Drill bit
Masonry bit
Countersink bit

For adhesive fix:

Construction adhesive/glue

STEP 1

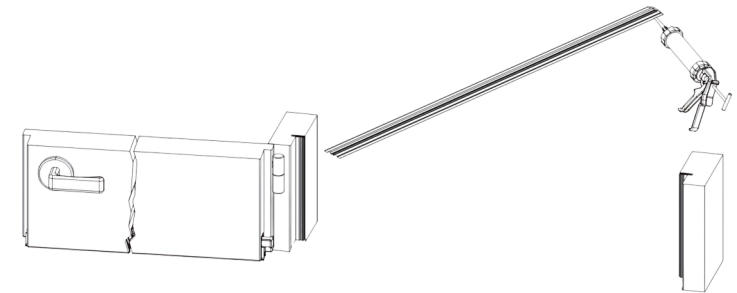
Measure the width between the door jambs, mark the measurement on the threshold plate with a pencil and cut to desired length using a saw.



STEP 2: ADHESIVE FIX

2.1 Apply construction adhesive along the whole length on the underside of the threshold plate.

2.2 Position the plate in place as required and allow to dry. Check to ensure it does not affect the opening or closing of the door.



STEP 2: SCREW FIX

2.1 Using a power drill, create pilot holes in the threshold plate where screws will go, countersink so screw heads will sit flush.

2.2 For masonry floors, mark hole positions through the plate, remove it, then drill the floor with a masonry bit and insert plugs.

2.3 Position the threshold plate and fix into place, ensuring it does not affect the opening or closing of the door.

