

## AR3500 FITTING TEMPLATE

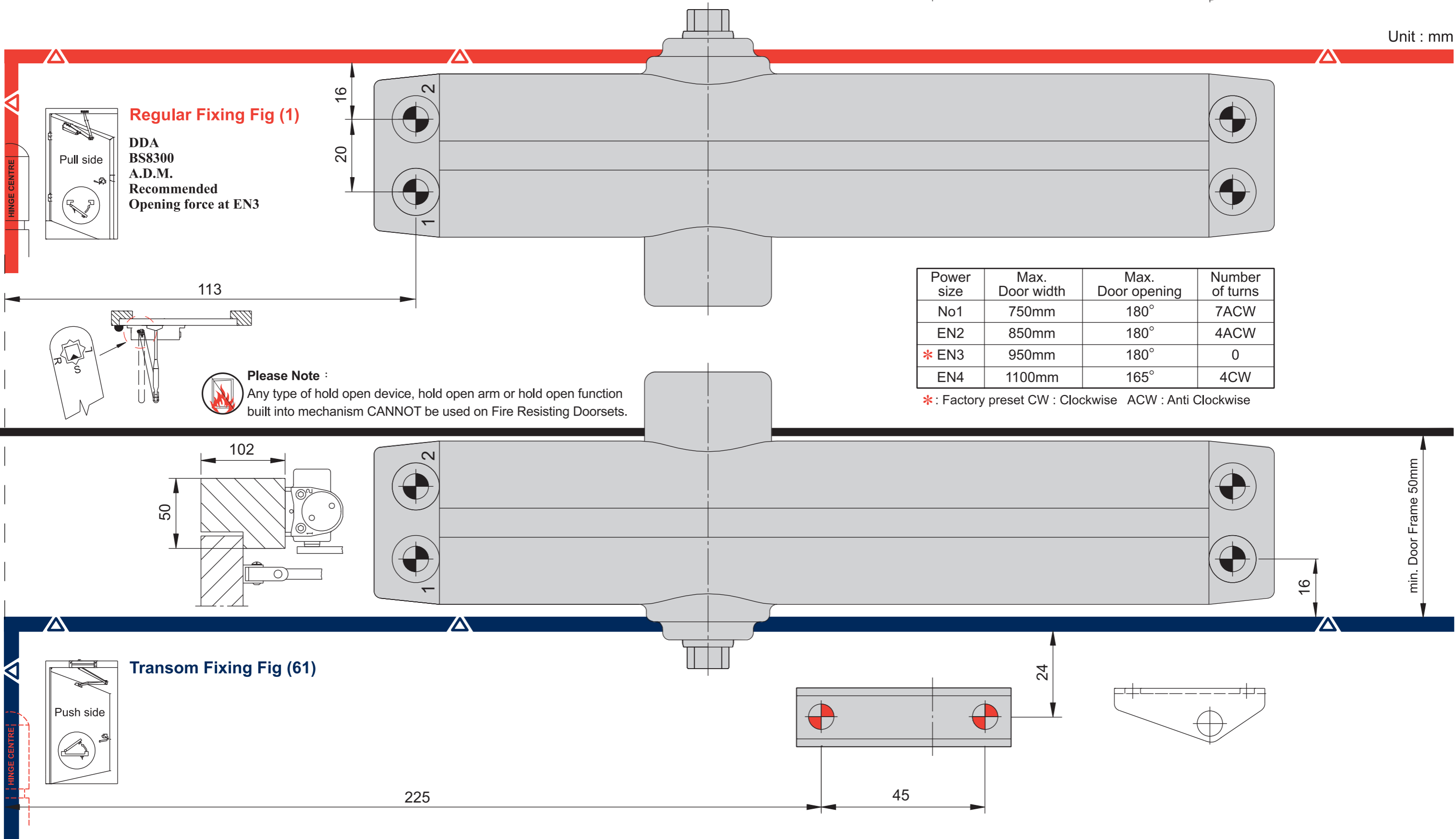
Power Adjustable EN2~4 BS EN1154:1996

CE	HOPPE UK LIMITED GALLEY PARK GRAVELLY WAY WOLVERHAMPTON ENGLAND			
	1121-CPD-AD0009/D	04		
EN 1154:1996 + A1:2002	3	8	4	1



APPROVED PRODUCT  
CF 294

Unit : mm



**Regular Fixing Fig (1)**

DDA  
BS8300  
A.D.M.  
Recommended  
Opening force at EN3

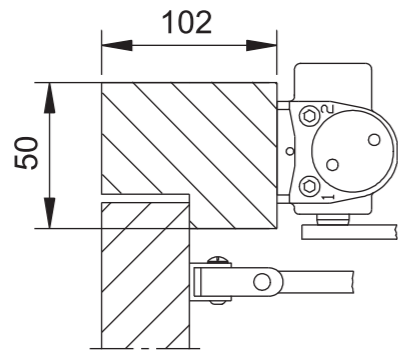
113



**Please Note :**  
Any type of hold open device, hold open arm or hold open function built into mechanism CANNOT be used on Fire Resisting Doorsets.

Power size	Max. Door width	Max. Door opening	Number of turns
No1	750mm	180°	7ACW
EN2	850mm	180°	4ACW
* EN3	950mm	180°	0
EN4	1100mm	165°	4CW

\* : Factory preset CW : Clockwise ACW : Anti Clockwise



min. Door Frame 50mm

**Transom Fixing Fig (61)**

225

45

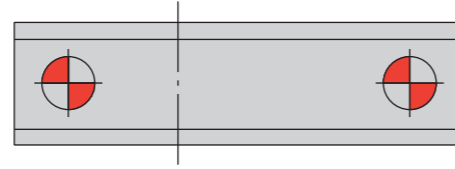
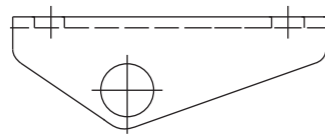
24

16



APPROVED PRODUCT  
CF 294

CE	HOPPE UK LIMITED GALLEY PARK GRAVELLY WAY WOLVERHAMPTON ENGLAND	
	1121-CPD-AD0009/D	04
EN 1154:1996 + A1:2002	3	8 4 1 1 4

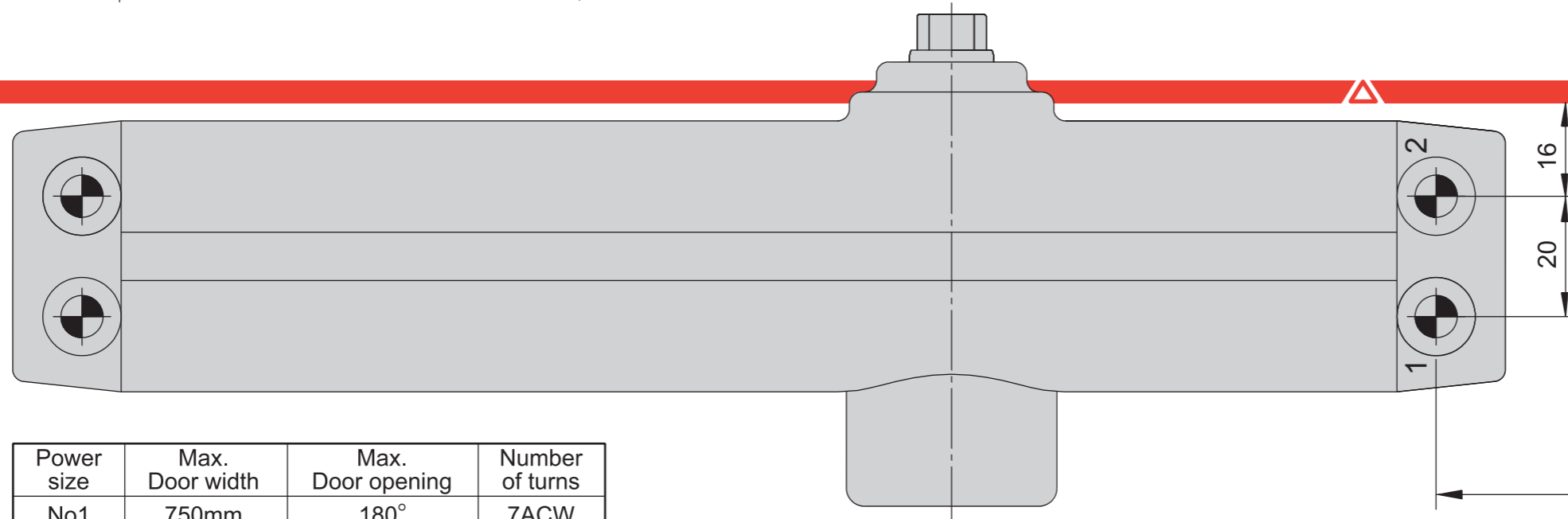


# AR3500 FITTING TEMPLATE

Power Adjustable EN2~4 BS EN1154:1996

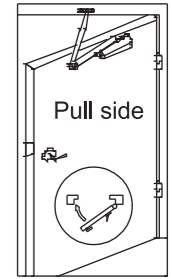


Unit : mm



### Regular Fixing Fig (1)

DDA  
BS8300  
A.D.M.  
Recommended  
Opening force at EN3



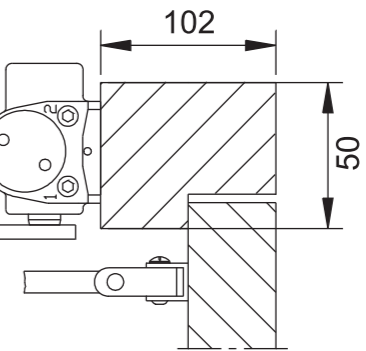
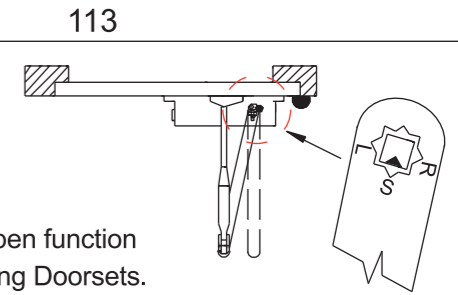
Power size	Max. Door width	Max. Door opening	Number of turns
No1	750mm	180°	7ACW
EN2	850mm	180°	4ACW
* EN3	950mm	180°	0
EN4	1100mm	165°	4CW

\* : Factory preset CW : Clockwise ACW : Anti Clockwise

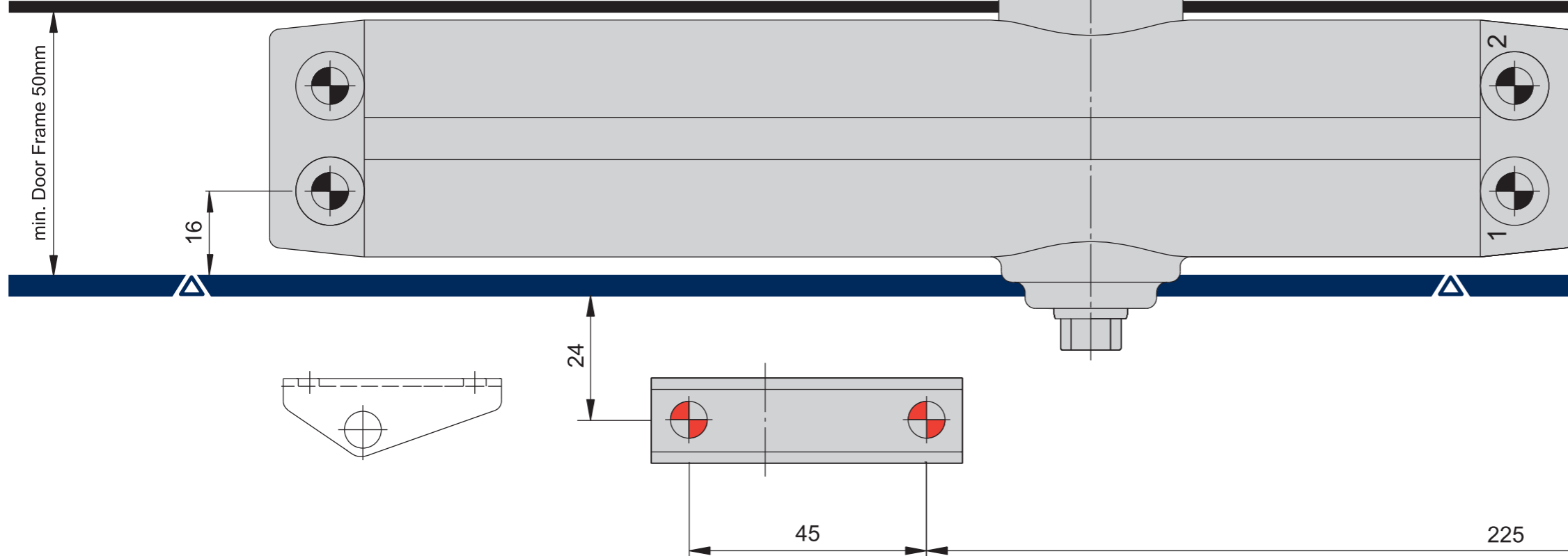
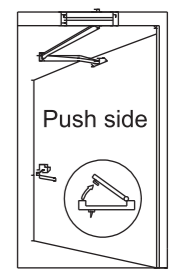


### Please Note :

Any type of hold open device, hold open arm or hold open function built into mechanism CANNOT be used on Fire Resisting Doorsets.



### Transom Fixing Fig (61)



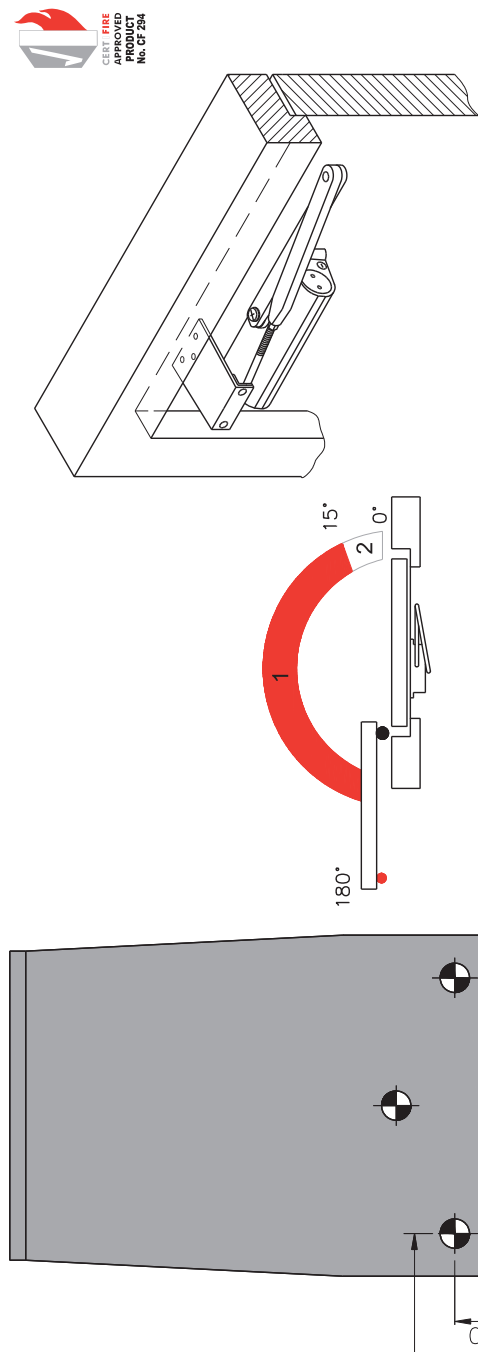
# ARRONE®

**AR3500** Parallel fixing (66) on push side.

Power size	Max. Door width	Max. Door opening	Number of turns
EN1	750mm	180°	7CCW
EN2	850mm	180°	4CCW
* EN3	950mm	180°	0
NO4	1100mm	180°	4 CW

\*: Factory preset CW: Clockwise CCW: Counterclockwise

280



170

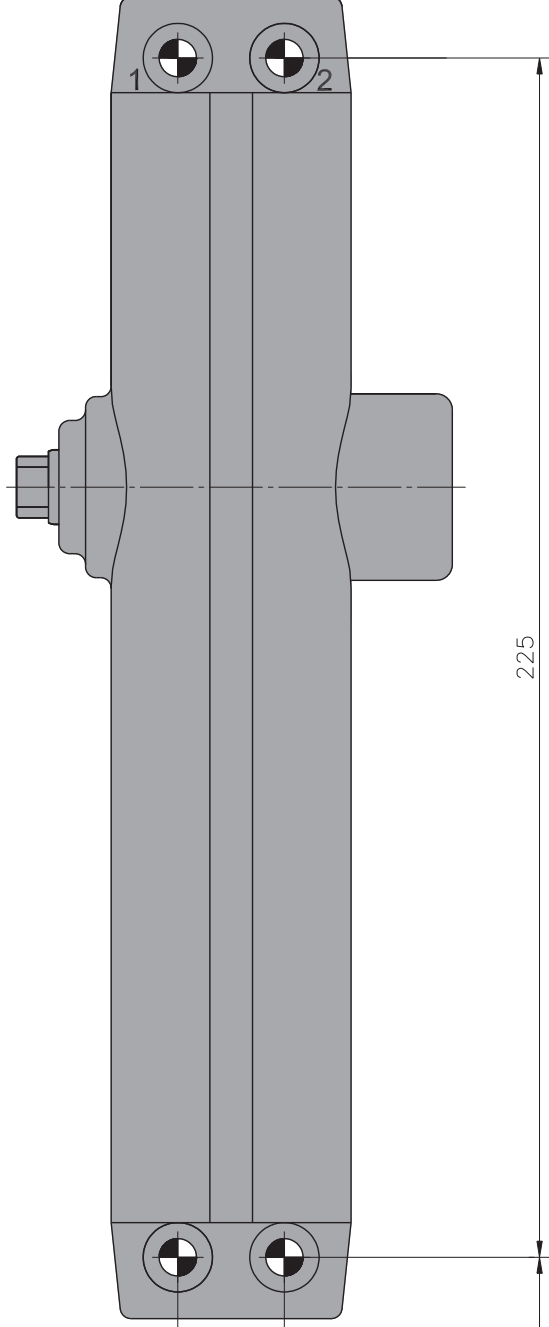
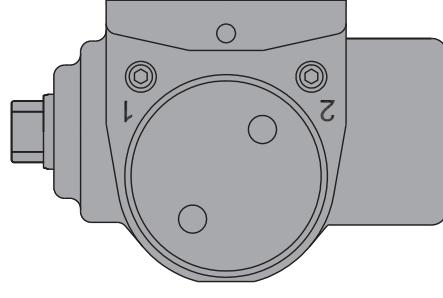
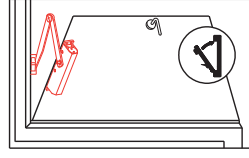
**FOLD HERE**

54

20

68

225



# ARRONE<sup>®</sup>

**AR3500** Parallel fixing (66) on push side.

Power size	Max. Door width	Max. Door opening	Number of turns
EN1	750 mm	180°	7CCW
EN2	850 mm	180°	4CCW
* EN3	950 mm	180°	0
NO4	1100 mm	180°	4 CW

\*: Factory preset CW: Clockwise CCW: Counterclockwise

