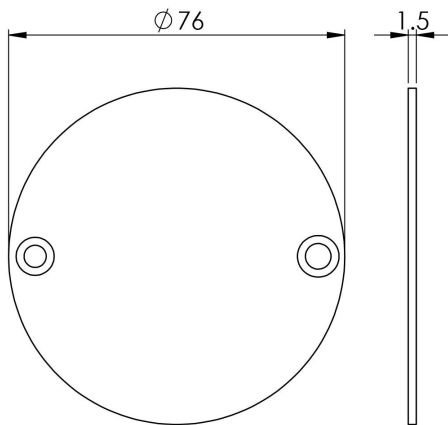


Fire Escape keep Clear Symbols

Fire Escape keep Clear Symbols



Fire Door Keep Clear Sign, part of the signage range in stainless steel. Standard size, 76mm Dia. Two drilled countersunk holes on each side of the sign allow for quick and easy face fix installation. Ideal for use in commercial properties.

