

CONTENTS

- Superior
- Screws
- End caps

TOOLS REQUIRED

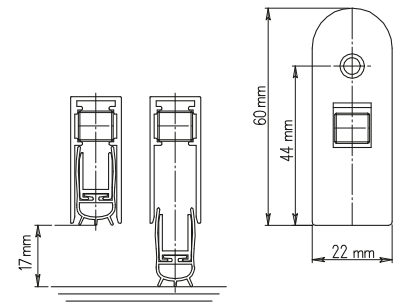
- Saw
- Tape measure
- Pencil/marker
- Drill and drill bit
- Router
- Chisel

CUT BACK SIZE ALLOWANCE

Superior can be cut back by up to 150mm

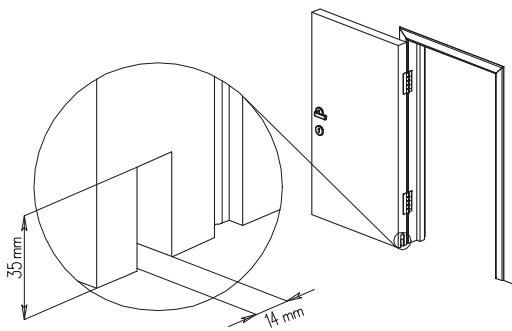
330mm can be cut back by 50mm

430mm can be cut back by 135mm



1

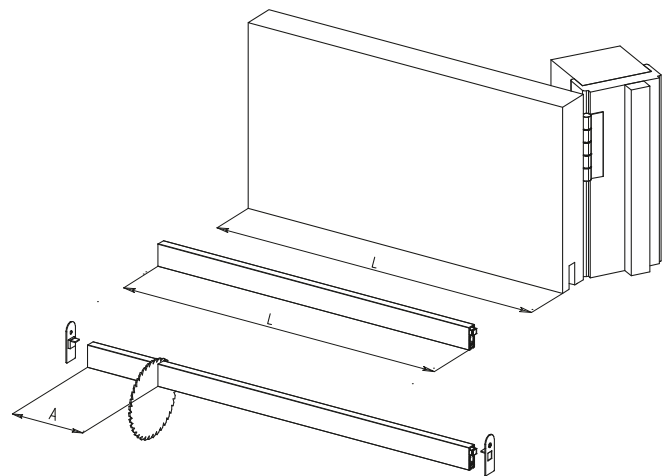
If installed, remove the door from its hinges and route a 35 x 14.2mm groove through the full width of the bottom of the door.



2

Measure the width of the door and cut back the seal using a power/hack saw. Remove any excess debris.

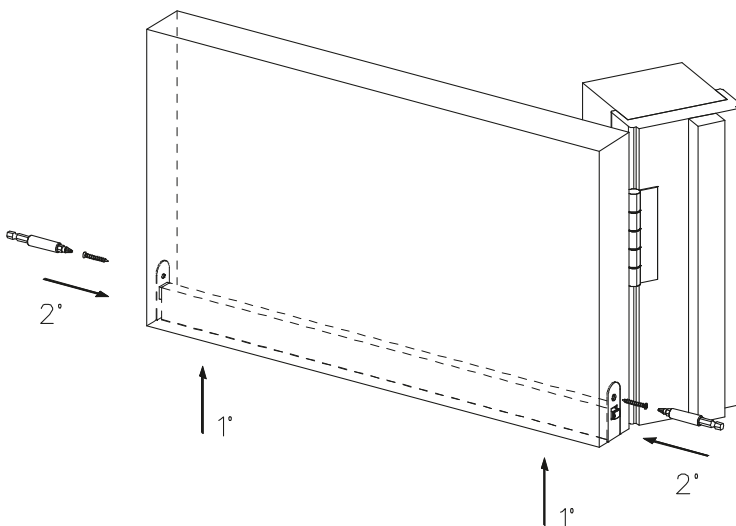
Do not cut back the seal more than what is permitted (refer to the cut back allowance).



3

Insert the seal into the groove, ensuring the actuator button is on the hinge side, and screw the end caps into place.

The door leaf can now be re-fitted.



4

Observe the seal and adjust accordingly by pulling out the actuator button clear of the housing and rotate clockwise to reduce movement or anti-clockwise to increase seal movement, ensuring the seal makes contact with the floor.

