



PROTECTING LIFE & PROPERTY



# Finger Protection Range

- Little Fingers Slimline (Commercial)
- Little Fingers Heavy Duty (Heavy Duty)
- Digisafe (Architectural)



Made in the UK • Distributed Globally



## A Problem Solved

**Over 30,000 children suffer from trapped fingers in doors every year in the UK**



According to RoSPA, the Royal Society for Prevention of Accidents, over 30,000 children in the UK require hospital treatment every year after trapping their fingers in doors.

More than 1,500 of these children need surgery, sometimes requiring plastic/reconstructive surgical operations. Nasty accidents of this type can be easily prevented using any of the products from our Finger Protection Range. Of the 30,000 finger-trapping accidents every year in the UK, the vast majority occur in the large gap in front of the hinge, as the door closes.

The rear of the hinge also presents a potential hazard to careless small hands. Both sides are capable of exerting thousands of pounds of pressure per square inch, on an innocent child's fingers. The devices we offer fit most doors and are very easy to install. They are designed and tested to be durable and eliminate the possibility of finger trapping accidents.

## Three Solutions

Firestop Manufacturing Ltd. supply a range of four finger protection products to suit all situations and uses.

Choosing and fitting any one of these products will prevent trapped finger accidents. Each product is supplied in two types, one for the front of the door and one for the rear. It is important therefore to understand what is meant by the terms front and rear.

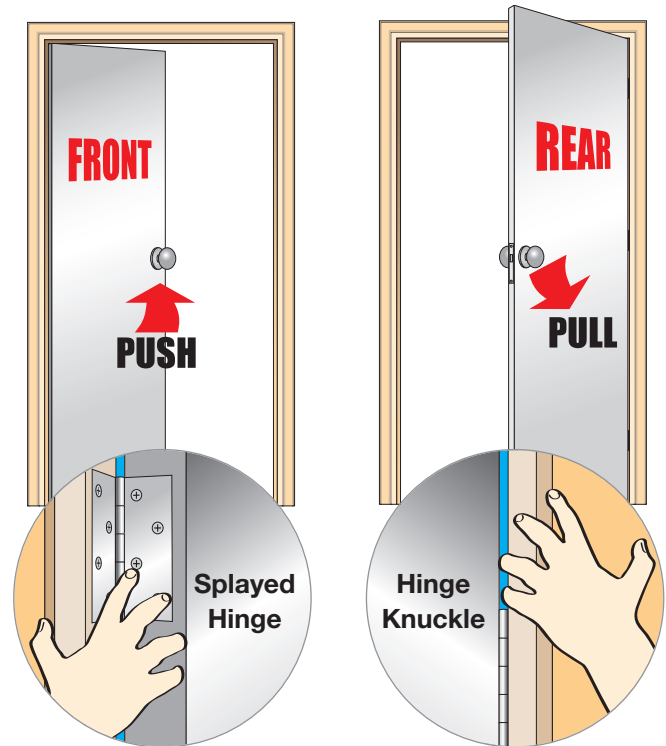
Doors generally open inwards into most buildings and rooms. They can be opened from either side obviously, so the side that you push to open, which reveals the splayed hinge, is called the front and the side which you pull to open, with the knuckle of the hinge showing, is called the rear.

### Who uses Firestop Finger Protection?

Finger protection systems are now installed in many public and private establishments and are rapidly becoming an essential fixture in schools and healthcare centres nationwide. They are now considered a necessity by health and safety officers nationwide and worldwide.

Little Fingers Slimline and Heavy Duty and Digisafe are safety products which fit the full length of both sides of the door, and are suitable for all doors, including fire doors.

The diagram below illustrates the front and rear of the door



**Digisafe**

## Little Fingers Slimline

**Little Fingers Slimline is a simple and cost effective device that covers the gap created at the hinge side when doors are opened. The device fits most doors and is very easy to install.**

Durability has been at the forefront throughout the development of Little Fingers Slimline. The device fits most doors and is really simple to install. It is unobtrusive, and will in no way impede the opening and closing of any door.

An additional benefit is that it can be screw fixed to allow easy hinge maintenance. Little Fingers Slimline is available in two colours: white and brown.

### Who uses Little Fingers Slimline?

The system is now installed in many public and private establishments and is rapidly becoming an essential fixture in schools and healthcare centres nationwide.

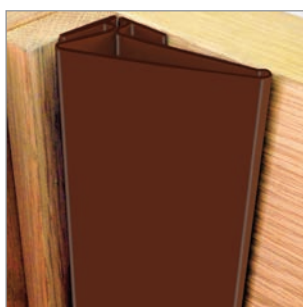
It is now considered a necessity by health and safety officers nationwide and worldwide. We offer safety products which fit the full length of both sides of the door, and are suitable for all doors, including fire doors.

### Features and Benefits

- Slimline design – once fitted it is hardly noticeable, only projects 30mm from the door face
- Opens up to 180°
- 1.95 metre lengths
- Easy to install, no specialist tools or equipment required fixing screws provided
- Supplied with high performance self-adhesive tape to aid easy fitting
- Easy to clean and requires no maintenance
- Suitable for areas of heavy pedestrian traffic
- Improves acoustic and draft proofing performance
- Easily cut to length for shorter doors



**Little Fingers Slimline - Front push side.**  
1.95mtr lengths. Available in White and Brown.



**Little Fingers Slimline comes in front and rear styles: Front to fit 180° door openings. Rear to fit 105° door openings.**

### Areas of application

- Suitable for fire-rated and non fire-rated doors
- Suitable for timber, steel or composite doors
- Ideal for nurseries, schools and residential care homes



**Little Fingers Slimline - Rear pull side hinge cover.**  
1.95mtr lengths. Available in White and Brown.

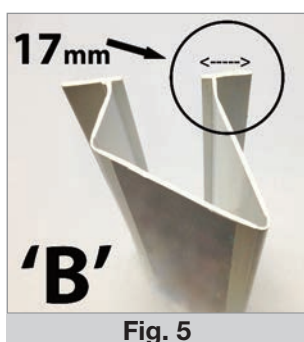
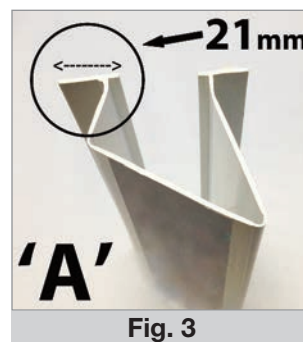
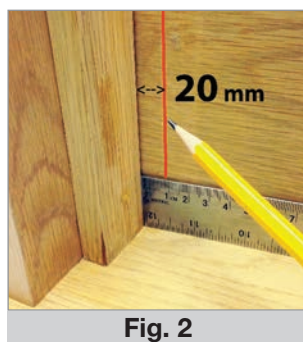


## Slimline Front Fitting Instructions

### Front (opening side)

To fit Little Fingers Slimline finger protection for doors follow the simple instructions below:

- 1 Measure the height of the door. Allow a 10mm gap at the top and bottom of the door, then trim the finger protector to suit (see fig 1)
  - 2 With the door shut, draw a pencil line down the door face 20mm from the door stop (see fig 2)
  - 3 Remove the self-adhesive tape from Profile A and fix to the door stop, along the edge abutting the door (see fig 3)
  - 4 Using the pre-drilled holes, fix Profile A with the screws provided (see fig 4)
  - 5 Remove self-adhesive tape from Profile B and, allowing the outside edge to sit on top of the pencil line, fix to the door (see fig 5)
  - 6 Using the pre-drilled holes, fix Profile B with the screws provided (see fig 6)
  - 7 Make a final check to make sure the door opens/closes fully without obstruction (see fig 7).
- Each pack contains:**  
1 x 1950mm finger protection device, including fixing screws.



Code	Description	Length	Position	Colour	Pack Outers
FS800	Little Fingers Slimline	1.95mtr	Front	White	10
FS802	Little Fingers Slimline	1.95mtr	Front	Brown	10

## Slimline Rear Fitting Instructions

### Rear (hinge knuckle side)

To fit Little Fingers Slimline rear hinge cover follow the simple instructions below:

- 1 Clean the door and frame thoroughly. Measure the height of the door. Allow a 10mm gap at the top and bottom of the door and trim the finger protector to suit
- 2 With the door shut, draw a pencil line down the door 5mm in from the hinge (see fig 1)
- 3 Remove the self-adhesive tape from 'L' shaped Profile A (see fig 2)
- 4 Fix to the door along the pencil line. For high pedestrian traffic areas, it is advisable to secure the hinge cover with screws (see fig 3)
- 5 Remove the self-adhesive tape from the 'T' shaped profile (see fig 4)
- 6 Wrap the cover around the hinge and secure to the door frame. For high pedestrian traffic areas, it is advisable to secure the hinge cover with screws (see fig 5)
7. Make a final check to ensure that the door opens/closes fully without obstruction (see fig 6)

**Each pack contains:** 1 x Channel.



Fig. 1

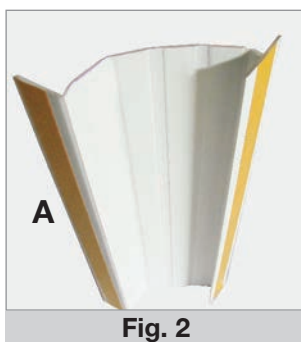


Fig. 2



Fig. 3

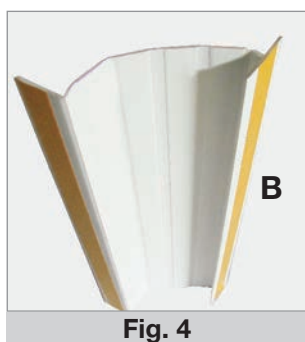


Fig. 4



Fig. 5



Fig. 6

Code	Description	Length	Position	Colour	Pack Outers
FS801	Little Fingers Slimline	1.95mtr	Rear	White	10
FS803	Little Fingers Slimline	1.95mtr	Rear	Brown	10

## Little Fingers Heavy Duty

Little Fingers Heavy Duty is a flexible safety strip which prevents fingers being trapped in the opening or closing side of a door. It covers the gap completely and is suitable for domestic or commercial use.

### Features and Benefits

- Easy to install, no specialist tools or equipment required
- Low maintenance
- Little Fingers Heavy Duty is suitable for butt-hinged or pivot doors
- 1.95 metre lengths
- Up to 180° opening
- Left or Right handed opening doors
- Front and rear types
- Available in Brown & White
- Also available in other colours and finishes, e.g. 'SteriTouch' antimicrobial for infection control - to special order

### Product Features

Little Fingers Heavy Duty is manufactured from PVC Nitrile and once installed requires no maintenance other than a wipe down with a damp cloth for cleaning.

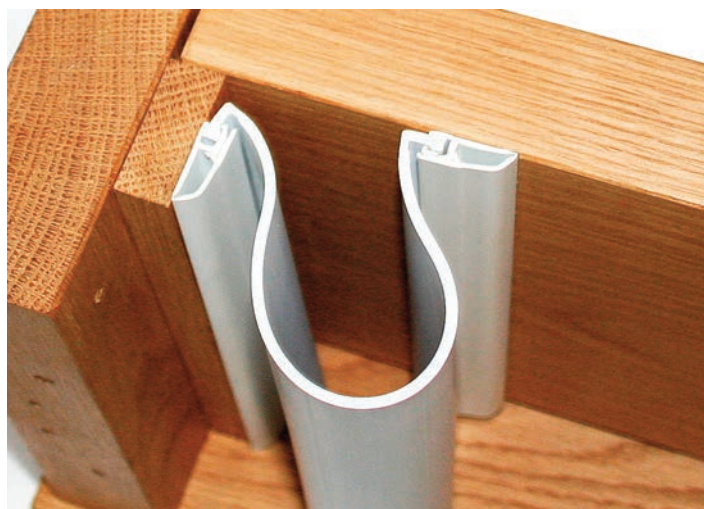
With a heavy duty design this finger guard is easy to install, requiring no specialist tools or equipment. Self-adhesive backing strips are used to position the guard holding strips, which are then reinforced by screws (supplied), neatly concealed by the guard design.

Five colours and four wood grain finishes, to match door veneers, are available.

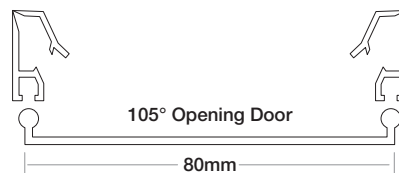
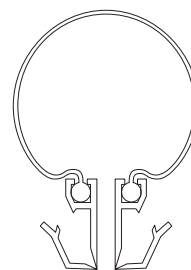
Cover strips, used to conceal fitting screws (supplied) are colour matched to the guard. The slimmer rear version may be suitable for use as a front guard on doors with a 90° opening angle.

A finger guard designed for infection control for environments where a high standard of hygiene is essential there is an infection control variant of Little Fingers Heavy Duty using SteriTouch® antimicrobial polymer additives developed by Crown Paints.

SteriTouch® is designed to inhibit the growth of bacteria, mould and fungi and is effective against MRSA, E. Coli and Salmonella and other bacteria.



Little Fingers Heavy Duty comes in front and rear styles: Front to fit 180° door openings. Rear to fit 105° door openings.



## Heavy Duty Fitting Instructions

- 1 Offer up the 1.95mtr Little Fingers Heavy Duty for size
- 2 If you need to cut to length leave 10mm clearance top and bottom. Use hacksaw to cut rigid profiles and sharp scissors or knife to cut exible shield
- 3 Ensure that the surfaces that are to be adhered to or free from dust or grease
- 4 Draw a line vertically down the door 60mm from the hinge edge (see fig 1)
- 5 Crimp bottom end of rigid socket with pliers prior to fitting - can be done post fit with hammer and centre punch (see fig 5)
- 6 Remove tape backing from door side rigid profile and stick in position with outer edge on drawn line (see fig 2)
- 7 Remove tape backing from other rigid profile and stick in position on door jamb (see fig 2)
- 8 Using screws provided fix both sides of Little Fingers Heavy Duty in positioning with a screw every 150mm and with one no more than 25mm away from top and bottom (see fig 3)
- 9 Clip screw cap cover in place (see fig 4)

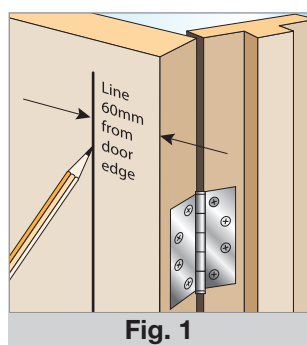


Fig. 1

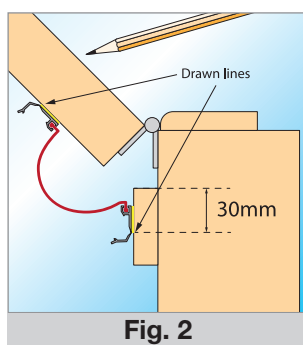


Fig. 2

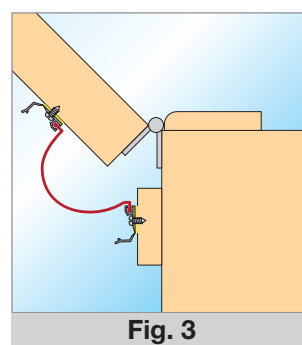


Fig. 3

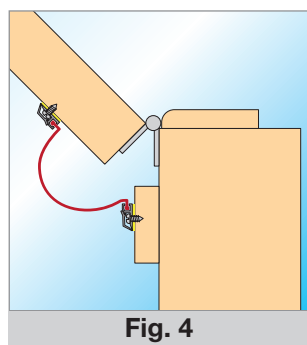


Fig. 4

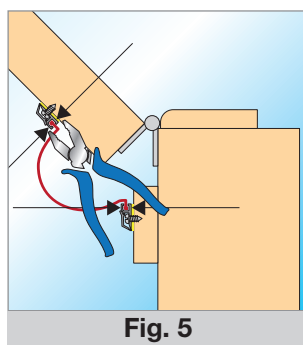


Fig. 5

The product should be stored at normal room temperature for 6 hrs prior to fitting (it must not be cold when fitted).

### Important Notice

### Maintenance

The only maintenance that may be required on Little Fingers Heavy Duty is an occasional wipe down with a damp cloth.

**Please note:** Double sided tape is only applied as a fitting aid and the product should be fixed using screws provided before use.

Please be advised neither the seller or manufacturer can be responsible for any damage caused other than fair wear and tear.

Code	Description	Length	Colour	Pack Outers
FS804	Little Fingers Heavy Duty (open side)	1.95mtr	White	10
FS805	Little Fingers Heavy Duty (knuckle side)	1.95mtr	White	10
FS806	Little Fingers Heavy Duty (open side)	1.95mtr	Brown	10
FS807	Little Fingers Heavy Duty (knuckle side)	1.95mtr	Brown	10

# Digisafe

**Digisafe Finger Guard is a door hinge safety system that has been designed to prevent fingers getting trapped in the hinge gap of a door in the most demanding environments.**

Plastic hinge covers conceal the dangerous hinge area, but can have limited durability in heavy duty environments.

## Features & Benefits

- 2 metre lengths - custom lengths on request
- Long lasting and durable
- Huge savings on maintenance budgets
- Easy to install, no specialist tools or equipment needed
- Retro fit to existing doors
- Fit for purpose
- Aesthetically pleasing slim-line design-once fitted it is hardly noticeable
- Easy to clean and requires no maintenance
- Suitable for areas of heavy pedestrian traffic
- Fits on left and right hand opening doors
- Butt-hinged or centre pivot door
- Allows for 90° and 180° opening

## Product Features

Digisafe is the ideal product to ensure safety at home or in public places such as hotels, hospitals, public offices and schools.

The Digisafe system consists of several aluminium profiles that are hinged together allowing the door to open up to 180° (DGSMAX180) which totally covers the shear point between the door and the frame. The device also protects the outer side of the shear point with a self-adhesive profile (DGSMIN).

The system is easily installed in few minutes,\* the design is elegant, essential and features a smooth surface that can have customised colours.

The Digisafe system adapts discretely to all types of doors and windows, keeping the technical qualities unchanged with a good looking result.

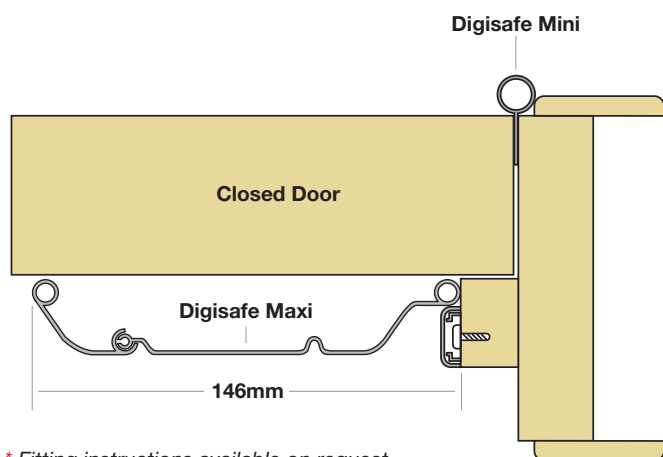
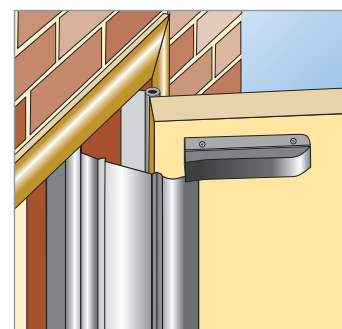
**Application:** All types of hinged doors.

**Lengths:** 2000 mm, custom lengths on request.

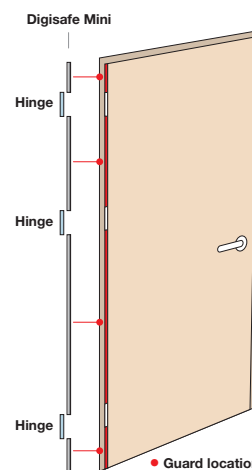
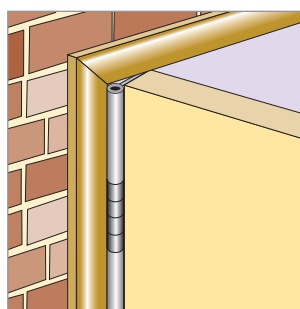
**Fixing type:** With hidden screws (supplied).

**Colours:** Anodized silver. Customized colours on request.

**Materials:** Sliding track in self-lubricating plastic, 6060 T6 aluminium alloy cover.



\* Fitting instructions available on request



Code	Description	Length	Colour	Pack Outers
FS798	Digisafe 180° commercial finger protector	2mtr	SAA	5
FS797	Digisafe mini rear hinge finger protector	2mtr	SAA	10



01305 257 428



sales@firestopltd.co.uk



firestopltd.co.uk



PROTECTING LIFE & PROPERTY

Firestop Limited  
4 - 6 Wyvern Buildings  
Grove Trading Estate  
Dorchester  
Dorset DT1 1ST



01305 257 428



sales@firestopltd.co.uk



firestopltd.co.uk