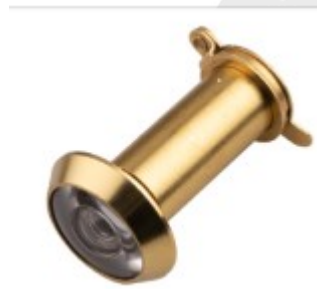
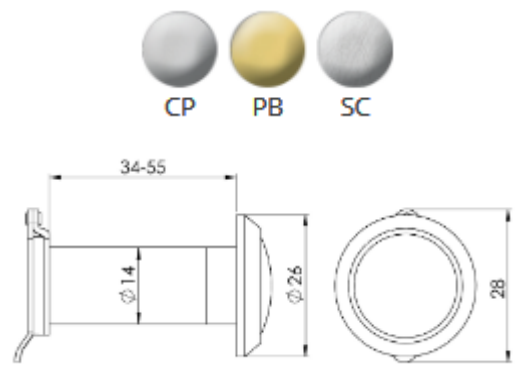


PRODUCT DATA SHEET

Contract Door Viewer Glass Lens



Standard style door viewer adds a useful security aspect to any door by enabling the user to see who is on the other side of the door before opening it. The viewer gives a 180° angle of vision.

For FD30/60 must be fitted with Intumescent pad (supplied)

