

# QWR-FW100-01

# Plastic Pipe penetrating a flexible wall (100mm or thicker)

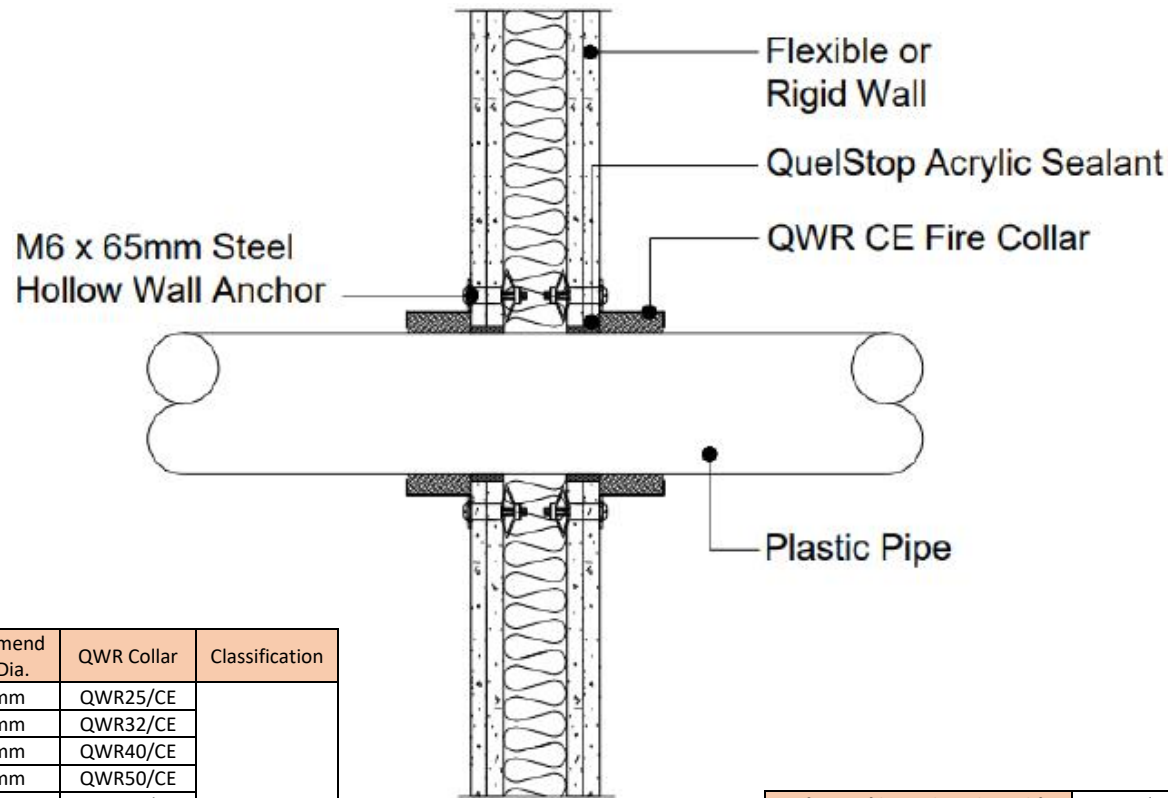
This standard detail is intended for general information only and all details should be checked against all relevant supporting test evidence, certification and installation guidelines. In line with the company's policy of continual development, details are subject to change and/ or withdrawal therefore you must ensure this is the latest published detail and instructions.

**Additional Instructions**

Flexible walls to be insulated and have a minimum 50mm wide stud and a minimum of 2 layers of 12.5mm fire rated plasterboard on both sides of the stud.

The QWR Fire Collar is secured using M6 X 65mm steel hollow wall anchors through all lugs. (Fixings to suit the plasterboard thickness used)

Test results obtained with flexible supporting walls may be applied to concrete or masonry elements of an overall thickness equal to or greater than that of the element used in the test. Refer to detail QWR-RW100-01 for guidance on QWR Fire Collar fixings.



Quelfire Products Required	
Product Code	Description
QWR25/CE	Fire Collar for 25mm pipes
QWR32/CE	Fire Collar for 32mm pipes
QWR40/CE	Fire Collar for 40mm pipes
QWR50/CE	Fire Collar for 50mm pipes
QWR55/CE	Fire Collar for 55mm pipes
QWR63/CE	Fire Collar for 63mm pipes
QWR75/CE	Fire Collar for 75mm pipes
QWR82/CE	Fire Collar for 82mm pipes
QWR90/CE	Fire Collar for 90mm pipes
QWR110/CE	Fire Collar for 110mm pipes
QWR125/CE	Fire collar for 125mm pipes
QWR160/CE	Fire collar for 160mm pipes
QSS310	QuelStop Acrylic Sealant

Service Type	Size of Service	Pipe Wall Thickness	Recommend Hole Dia.	QWR Collar	Classification	
U-PVC	Ø25mm	1.9 - 3.4mm	Ø27mm	QWR25/CE	EI 60 U/C	
	Ø32mm		Ø34mm	QWR32/CE		
	Ø40mm		Ø42mm	QWR40/CE		
	Ø50mm	2.4 - 4.1mm	Ø52mm	QWR50/CE		
	Ø55mm		Ø57mm	QWR55/CE		
	Ø63mm		4.2 - 6.7mm	Ø65mm		QWR63/CE
	Ø75mm			Ø77mm		QWR75/CE
	Ø82mm	Ø84mm		QWR82/CE		
	Ø90mm	Ø92mm		QWR90/CE		
	Ø110mm	Ø112mm		QWR110/CE		
	Ø125mm	4.8 - 8.0mm	Ø132mm	QWR125/CE		
	Ø160mm	6.2 - 11.1mm	Ø162mm	QWR160/CE		

Plastic Pipe Type	Page No.
U-PVC	1
HDPE	2
PP	3

<b>To be read in conjunction with:</b>	QWR Classification Report 360281/A Issue 5, Pages 63 - 64
<b>Test standard:</b>	BS EN1366-3:2009
<b>Substrate minimum thickness:</b>	100mm
<b>First service support:</b>	≤400mm
<b>Drawing Scale:</b>	Not to Scale
<b>Issue Number:</b>	2
<b>Date of Issue:</b>	October 2021
<b>Detail Reference:</b>	QWR-FW100-01

**Important Information:**

- The supporting construction must be installed in accordance with the manufacturer's guidelines and must be capable of achieving the required fire rating of the firestop.
- All Services should be adequately supported either side of the firestop to ensure that no load is transferred onto the firestop seal.

**Scope and Liability:**

- Any information provided by or on behalf of Quelfire Limited is provided for general information only. It is not intended to amount to advice on which you should rely. You must obtain professional or specialist advice before taking, or refraining from, any recommendation or action.
- The summary is not exhaustive and does not consider all issues relevant to the enquiry. It is limited to the information and time available to us. We have not verified any information made available to us by you or any other source, nor have we carried out a physical inspection of any property. We make no representations, warranties or guarantees, whether expressed or implied, that any information is accurate, complete or up to date.
- We do not accept a duty of care to you or any other person in respect of the enquiry, nor do we accept any liability to you or any other person for any loss arising out of or in connection with the enquiry or any reply provided by us. Different limitations and exclusions of liability arising as a result of the supply of any products or services by us to you, and these will be set out in our terms and conditions of supply, a copy of which is available on request.
- Full terms and conditions of sale are available at <https://www.quelfire.co.uk/terms-conditions-of-sale/>

# QWR-FW100-01

# Plastic Pipe penetrating a flexible wall (100mm or thicker)

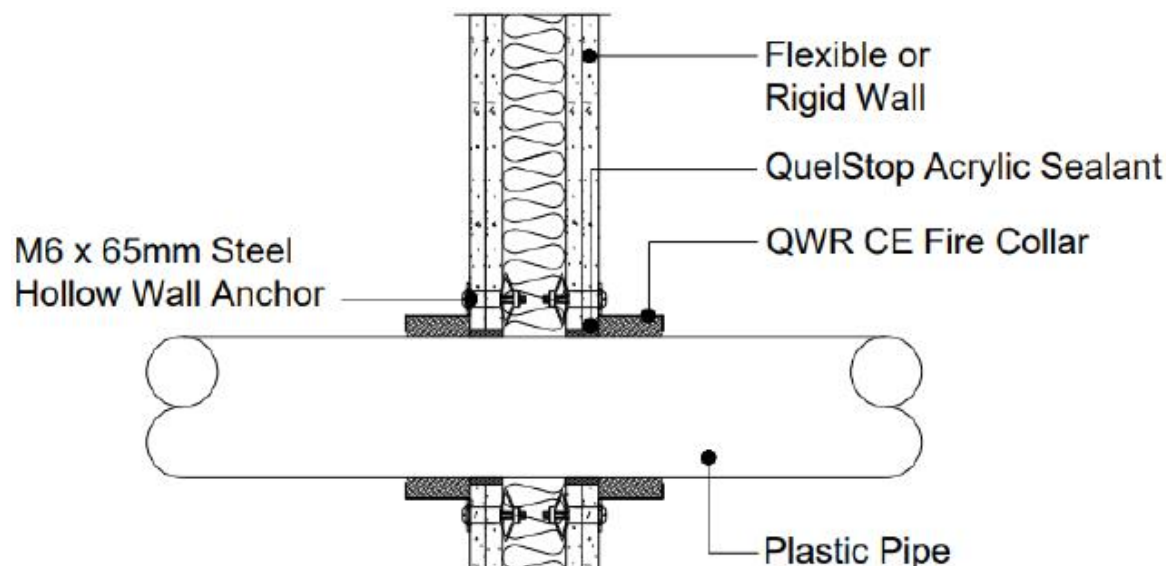
This standard detail is intended for general information only and all details should be checked against all relevant supporting test evidence, certification and installation guidelines. In line with the company's policy of continual development, details are subject to change and/ or withdrawal therefore you must ensure this is the latest published detail and instructions.

**Additional Instructions**

Flexible walls to be insulated and have a minimum 50mm wide stud and a minimum of 2 layers of 12.5mm fire rated plasterboard on both sides of the stud.

The QWR Fire Collar is secured using M6 X 65mm steel hollow wall anchors through all lugs. (Fixings to suit the plasterboard thickness used)

Test results obtained with flexible supporting walls may be applied to concrete or masonry elements of an overall thickness equal to or greater than that of the element used in the test. Refer to detail QWR-RW100-01 for guidance on QWR Fire Collar fixings.



Quelfire Products Required	
Product Code	Description
QWR25/CE	Fire Collar for 25mm pipes
QWR32/CE	Fire Collar for 32mm pipes
QWR40/CE	Fire Collar for 40mm pipes
QWR50/CE	Fire Collar for 50mm pipes
QWR55/CE	Fire Collar for 55mm pipes
QWR63/CE	Fire Collar for 63mm pipes
QWR75/CE	Fire Collar for 75mm pipes
QWR82/CE	Fire Collar for 82mm pipes
QWR90/CE	Fire Collar for 90mm pipes
QWR110/CE	Fire Collar for 110mm pipes
QWR125/CE	Fire collar for 125mm pipes
QWR160/CE	Fire collar for 160mm pipes
QSS310	QuelStop Acrylic Sealant

Service Type	Size of Service	Pipe Wall Thickness	Recommend Hole Dia.	QWR Collar	Classification
HDPE	Ø25mm	2.4 - 4.0mm	Ø27mm	QWR25/CE	EI 60 U/C
	Ø32mm		Ø34mm	QWR32/CE	
	Ø40mm		Ø42mm	QWR40/CE	
	Ø50mm	2.6 - 3.9mm	Ø52mm	QWR50/CE	
	Ø55mm		Ø57mm	QWR55/CE	
	Ø63mm		Ø65mm	QWR63/CE	
	Ø75mm	3.4mm	Ø77mm	QWR75/CE	
	Ø82mm		Ø84mm	QWR82/CE	
	Ø90mm		Ø92mm	QWR90/CE	
	Ø110mm	3.6 - 5.4mm	Ø112mm	QWR110/CE	
	Ø125mm		Ø132mm	QWR125/CE	
	Ø160mm		Ø162mm	QWR160/CE	

Plastic Pipe Type	Page No.
U-PVC	1
HDPE	2
PP	3

<b>To be read in conjunction with:</b>	QWR Classification Report 360281/A Issue 5, Pages 63 - 64
<b>Test standard:</b>	BS EN1366-3:2009
<b>Substrate minimum thickness:</b>	100mm
<b>First service support:</b>	≤400mm
<b>Drawing Scale:</b>	Not to Scale
<b>Issue Number:</b>	2
<b>Date of Issue:</b>	October 2021
<b>Detail Reference:</b>	QWR-FW100-01

### Important Information:

- The supporting construction must be installed in accordance with the manufacturer's guidelines and must be capable of achieving the required fire rating of the firestop.
- All Services should be adequately supported either side of the firestop to ensure that no load is transferred onto the firestop seal.

### Scope and Liability:

- Any Information provided by or on behalf of Quelfire Limited is provided for general information only. It is not intended to amount to advice on which you should rely. You must obtain professional or specialist advice before taking, or refraining from, any recommendation or action.
- The summary is not exhaustive and does not consider all issues relevant to the enquiry. It is limited to the information and time available to us. We have not verified any information made available to us by you or any other source, nor have we carried out a physical inspection of any property. We make no representations, warranties or guarantees, whether expressed or implied, that any information is accurate, complete or up to date.
- We do not accept a duty of care to you or any other person in respect of the enquiry, nor do we accept any liability to you or any other person for any loss arising out of or in connection with the enquiry or any reply provided by us. Different limitations and exclusions of liability arising as a result of the supply of any products or services by us to you, and these will be set out in our terms and conditions of supply, a copy of which is available on request.
- Full terms and conditions of sale are available at <https://www.quelfire.co.uk/terms-conditions-of-sale/>

# QWR-FW100-01

# Plastic Pipe penetrating a flexible wall (100mm or thicker)



PROTECTING PEOPLE & PROPERTY

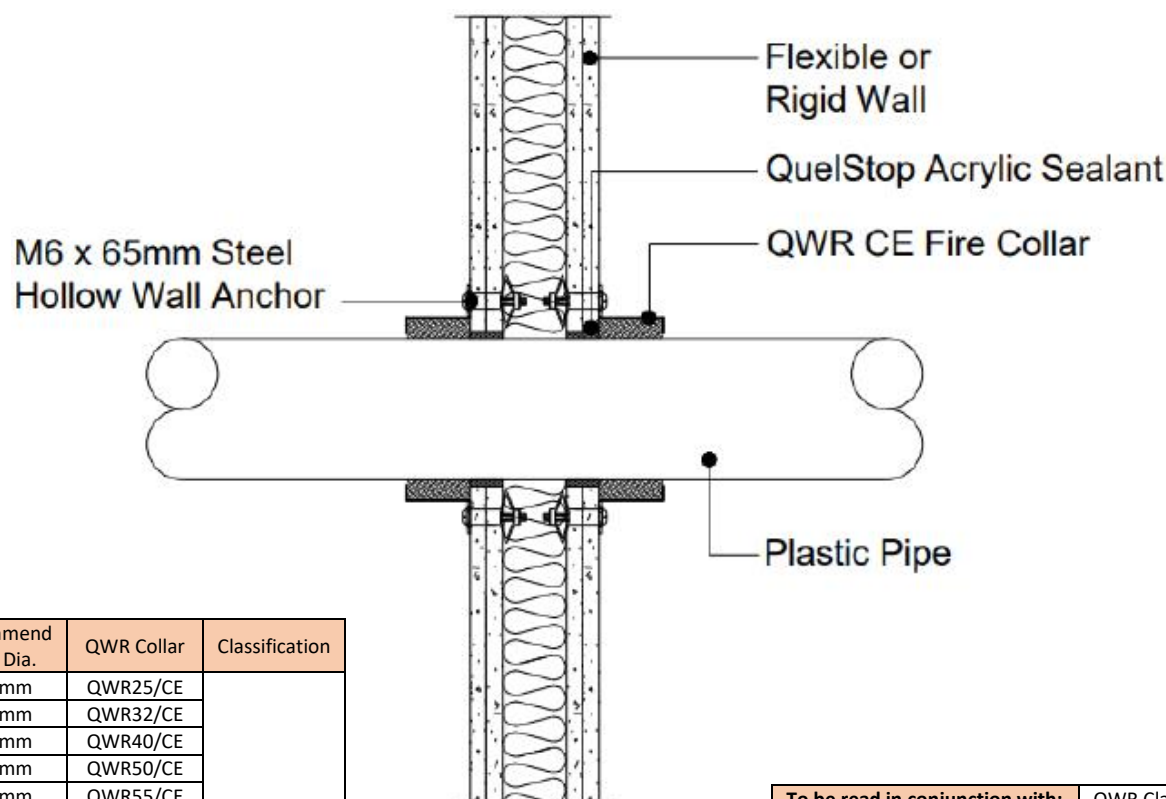
This standard detail is intended for general information only and all details should be checked against all relevant supporting test evidence, certification and installation guidelines  
In line with the company's policy of continual development, details are subject to change and/ or withdrawal therefore you must ensure this is the latest published detail and instructions.

**Additional Instructions**

Flexible walls to be insulated and have a minimum 50mm wide stud and a minimum of 2 layers of 12.5mm fire rated plasterboard on both sides of the stud.

The QWR Fire Collar is secured using M6 X 65mm Steel hollow wall anchors through all lugs. (Fixings to suit the plasterboard thickness used)

Test results obtained with flexible supporting walls may be applied to concrete or masonry elements of an overall thickness equal to or greater than that of the element used in the test. Refer to detail QWR-RW100-01 for guidance on QWR Fire Collar fixings.



Quelfire Products Required	
Product Code	Description
QWR25/CE	Fire Collar for 25mm pipes
QWR32/CE	Fire Collar for 32mm pipes
QWR40/CE	Fire Collar for 40mm pipes
QWR50/CE	Fire Collar for 50mm pipes
QWR55/CE	Fire Collar for 55mm pipes
QWR63/CE	Fire Collar for 63mm pipes
QWR75/CE	Fire Collar for 75mm pipes
QWR82/CE	Fire Collar for 82mm pipes
QWR90/CE	Fire Collar for 90mm pipes
QWR110/CE	Fire Collar for 110mm pipes
QWR125/CE	Fire collar for 125mm pipes
QWR160/CE	Fire collar for 160mm pipes
QSS310	QuelStop Acrylic Sealant

Service Type	Size of Service	Pipe Wall Thickness	Recommend Hole Dia.	QWR Collar	Classification	
PP	Ø25mm	3.7 - 4.2mm	Ø27mm	QWR25/CE	EI 60 U/C	
	Ø32mm		Ø34mm	QWR32/CE		
	Ø40mm		Ø42mm	QWR40/CE		
	Ø50mm		Ø52mm	QWR50/CE		
	Ø55mm	3.9 - 5.2mm	Ø57mm	QWR55/CE		
	Ø63mm		Ø65mm	QWR63/CE		
	Ø75mm		Ø77mm	QWR75/CE		
	Ø82mm		Ø84mm	QWR82/CE		
	Ø90mm	2.7 - 10.8mm	Ø92mm	QWR90/CE		
	Ø110mm		Ø112mm	QWR110/CE		
	Ø125mm		Ø132mm	QWR125/CE		
	Ø160mm		Ø162mm	QWR160/CE		
		3.1 - 10.7mm				
		4.0 - 10.3mm				

Plastic Pipe Type	Page No.
U-PVC	1
HDPE	2
PP	3

<b>To be read in conjunction with:</b>	QWR Classification Report 360281/A Issue 5, Pages 63 - 64
<b>Test standard:</b>	BS EN1366-3:2009
<b>Substrate minimum thickness:</b>	100mm
<b>First service support:</b>	≤400mm
<b>Drawing Scale:</b>	Not to Scale
<b>Issue Number:</b>	2
<b>Date of Issue:</b>	October 2021
<b>Detail Reference:</b>	QWR-FW100-01

### Important Information:

- The supporting construction must be installed in accordance with the manufacturer's guidelines and must be capable of achieving the required fire rating of the firestop.
- All Services should be adequately supported either side of the firestop to ensure that no load is transferred onto the firestop seal.

### Scope and Liability:

- Any information provided by or on behalf of Quelfire Limited is provided for general information only. It is not intended to amount to advice on which you should rely. You must obtain professional or specialist advice before taking, or refraining from, any recommendation or action.
- The summary is not exhaustive and does not consider all issues relevant to the enquiry. It is limited to the information and time available to us. We have not verified any information made available to us by you or any other source, nor have we carried out a physical inspection of any property. We make no representations, warranties or guarantees, whether expressed or implied, that any information is accurate, complete or up to date.
- We do not accept a duty of care to you or any other person in respect of the enquiry, nor do we accept any liability to you or any other person for any loss arising out of or in connection with the enquiry or any reply provided by us. Different limitations and exclusions of liability arising as a result of the supply of any products or services by us to you, and these will be set out in our terms and conditions of supply, a copy of which is available on request.
- Full terms and conditions of sale are available at <https://www.quelfire.co.uk/terms-conditions-of-sale/>