

# QWR-CF150-01

# Plastic Pipe penetrating a rigid floor (150mm or thicker)



PROTECTING PEOPLE & PROPERTY

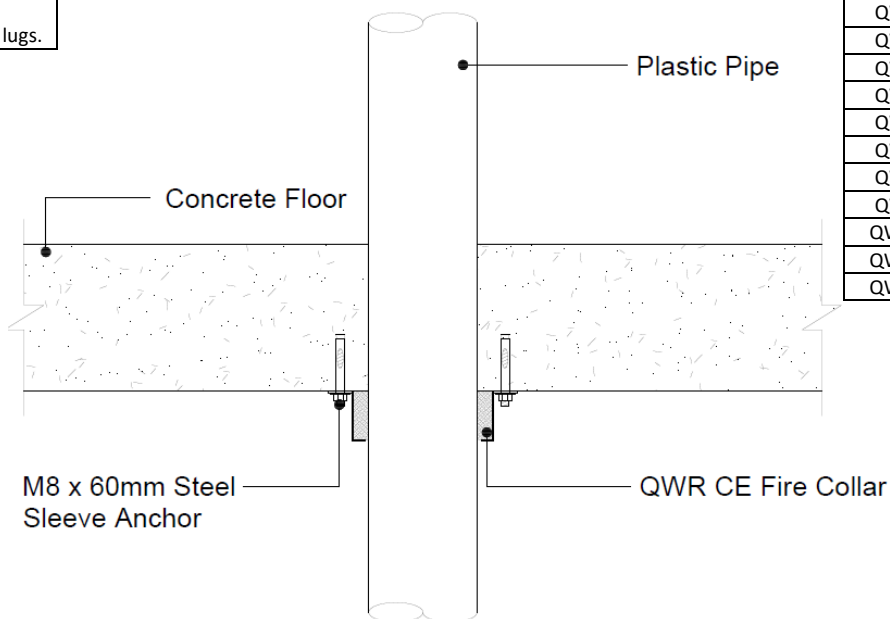
This standard detail is intended for general information only and all details should be checked against all relevant supporting test evidence, certification and installation guidelines. In line with the company's policy of continual development, details are subject to change and/ or withdrawal therefore you must ensure this is the latest published detail and instructions.

**Additional Instructions**

The floor must have a minimum thickness of 150mm and comprise of concrete, aerated concrete or masonry, with a minimum density of 670kg/m<sup>3</sup>.

The QWR Fire Collar is secured using M8 X 60mm steel sleeve anchors through all fixing lugs.

Quelfire Products Required	
Product Code	Description
QWR25/CE	Fire Collar for 25mm pipes
QWR32/CE	Fire Collar for 32mm pipes
QWR40/CE	Fire Collar for 40mm pipes
QWR50/CE	Fire Collar for 50mm pipes
QWR55/CE	Fire Collar for 55mm pipes
QWR63/CE	Fire Collar for 63mm pipes
QWR75/CE	Fire Collar for 75mm pipes
QWR82/CE	Fire Collar for 82mm pipes
QWR90/CE	Fire Collar for 90mm pipes
QWR110/CE	Fire Collar for 110mm pipes
QWR125/CE	Fire Collar for 125mm pipes
QWR160/CE	Fire Collar for 160mm pipes



Service Type	Size of Service	Pipe Wall Thickness	Recommend Hole Dia.	QWR Collar	Classification
U-PVC	Ø25mm	1.9 – 3.0mm	Ø27mm	QWR25/CE	EI 240 U/C
	Ø32mm		Ø34mm	QWR32/CE	
	Ø40mm		Ø42mm	QWR40/CE	
	Ø50mm	2.4mm	Ø52mm	QWR50/CE	E 90 U/U
		2.9 - 3.8mm			EI 60 U/U
	Ø55mm	6.6mm	Ø57mm	QWR55/CE	EI 240 U/C
	Ø63mm	6.6mm	Ø65mm	QWR63/CE	EI 60 U/C
	Ø75mm	6.6mm	Ø77mm	QWR75/CE	EI 240 U/C
					4.2 - 6.6mm
	Ø82mm	6.6mm	Ø84mm	QWR82/CE	EI 240 U/C
					4.2 - 6.6mm
	Ø90mm	6.6mm	Ø92mm	QWR90/CE	EI 240 U/C
					4.2 - 6.6mm
	Ø110mm	6.6mm	Ø112mm	QWR110/CE	EI 240 U/C
3.2 - 6.6mm					EI 60 U/U
Ø125mm	6.5mm	Ø132mm	QWR125/CE	EI 180 U/C	
				4.8 - 7.5mm	EI 60 U/C
Ø160mm	6.2mm	Ø162mm	QWR160/CE	EI 180 U/C	
				6.2 - 9.5mm	EI 60 U/C

Plastic Pipe Type	Page No.
U-PVC	1
HDPE	2
PP	3

<b>To be read in conjunction with:</b>	QWR WF Classification Report 360281/A Issue 5, Pages 55, 56, 60 & 62
<b>Test standard:</b>	BS EN1366-3:2009 & EN13501-2:2016
<b>Substrate minimum thickness:</b>	150mm
<b>First service support:</b>	≤250mm
<b>Drawing Scale:</b>	Not to Scale
<b>Issue Number:</b>	4
<b>Date of Issue:</b>	October 2021
<b>Detail Reference:</b>	QWR-CF150-01

### Important Information:

- The supporting construction must be installed in accordance with the manufacturer's guidelines and must be capable of achieving the required fire rating of the firestop.
- All Services should be adequately supported either side of the firestop to ensure that no load is transferred onto the firestop seal.

### Scope and Liability:

- Any Information provided by or on behalf of Quelfire Limited is provided for general information only. It is not intended to amount to advice on which you should rely. You must obtain professional or specialist advice before taking, or refraining from, any recommendation or action.
- The summary is not exhaustive and does not consider all issues relevant to the enquiry. It is limited to the information and time available to us. We have not verified any information made available to us by you or any other source, nor have we carried out a physical inspection of any property. We make no representations, warranties or guarantees, whether expressed or implied, that any information is accurate, complete or up to date.
- We do not accept a duty of care to you or any other person in respect of the enquiry, nor do we accept any liability to you or any other person for any loss arising out of or in connection with the enquiry or any reply provided by us. Different limitations and exclusions of liability arising as a result of the supply of any products or services by us to you, and these will be set out in our terms and conditions of supply, a copy of which is available on request.
- Full terms and conditions of sale are available at <https://www.quelfire.co.uk/terms-conditions-of-sale/>

# QWR-CF150-01

# Plastic Pipe penetrating a rigid floor (150mm or thicker)

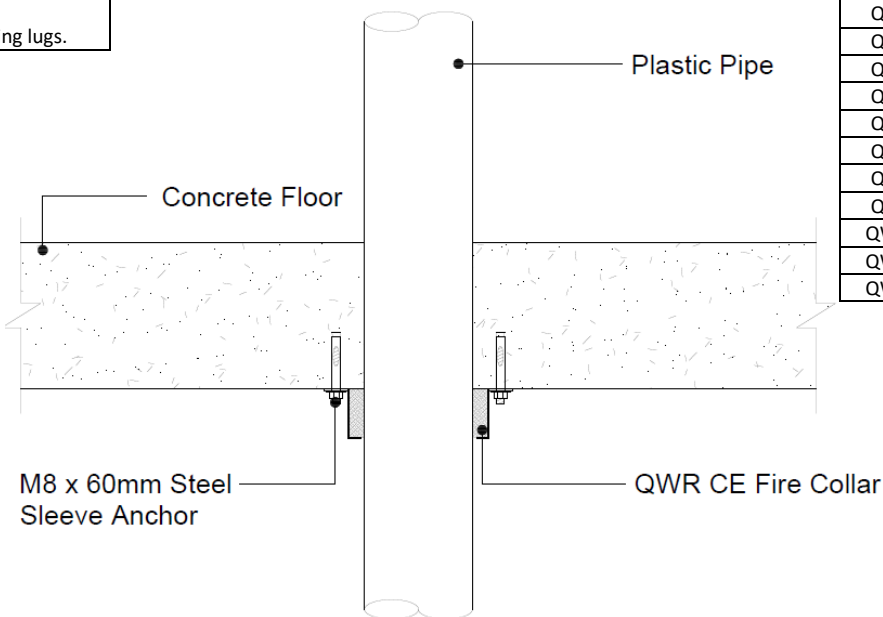


PROTECTING PEOPLE & PROPERTY

This standard detail is intended for general information only and all details should be checked against all relevant supporting test evidence, certification and installation guidelines. In line with the company's policy of continual development, details are subject to change and/ or withdrawal therefore you must ensure this is the latest published detail and instructions.

Additional Instructions	
The floor must have a minimum thickness of 150mm and comprise of concrete, aerated concrete or masonry, with a minimum density of 670kg/m <sup>3</sup> .	
The QWR Fire Collar is secured using M8 X 60mm Steel sleeve anchors through all fixing lugs.	

Quelfire Products Required	
Product Code	Description
QWR25/CE	Fire Collar for 25mm pipes
QWR32/CE	Fire Collar for 32mm pipes
QWR40/CE	Fire Collar for 40mm pipes
QWR50/CE	Fire Collar for 50mm pipes
QWR55/CE	Fire Collar for 55mm pipes
QWR63/CE	Fire Collar for 63mm pipes
QWR75/CE	Fire Collar for 75mm pipes
QWR82/CE	Fire Collar for 82mm pipes
QWR90/CE	Fire Collar for 90mm pipes
QWR110/CE	Fire Collar for 110mm pipes
QWR125/CE	Fire Collar for 125mm pipes
QWR160/CE	Fire Collar for 160mm pipes



Service Type	Size of Service	Pipe Wall Thickness	Recommend Hole Dia.	QWR Collar	Classification
HDPE	Ø25mm	2.4mm	Ø27mm	QWR25/CE	EI 240 U/C
		2.4 - 3.7mm			EI 120 U/C
	Ø32mm	2.4mm	Ø34mm	QWR32/CE	EI 240 U/C
		2.4 - 3.7mm			EI 120 U/C
	Ø40mm	2.4mm	Ø42mm	QWR40/CE	EI 240 U/C
		2.4 - 3.7mm			EI 120 U/C
	Ø50mm	2.6mm	Ø52mm	QWR50/CE	EI 240 U/C
		2.6 - 4.3mm			EI 120 U/C
	Ø55mm	2.6mm	Ø57mm	QWR55/CE	EI 240 U/C
		2.6 - 4.3mm			EI 120 U/C
	Ø63mm	3.4mm	Ø65mm	QWR63/CE	EI 240 U/C
		3.4 - 6.6mm			EI 120 U/C
	Ø75mm	3.4mm	Ø77mm	QWR75/CE	EI 240 U/C
		3.4 - 6.6mm			EI 120 U/C
	Ø82mm	3.4mm	Ø84mm	QWR82/CE	EI 240 U/C
		3.4 - 6.6mm			EI 120 U/C
	Ø90mm	3.4mm	Ø92mm	QWR90/CE	EI 240 U/C
		3.4 - 6.6mm			EI 120 U/C
Ø110mm	3.4mm	Ø112mm	QWR110/CE	EI 240 U/C	
	3.4 - 6.6mm			EI 60 U/U	
Ø125mm	3.6mm	Ø132mm	QWR125/CE	EI 240 U/C	
	3.6 - 5.8mm			E 120 U/C	
Ø160mm	3.6 - 7.5mm	Ø162mm	QWR160/CE	EI 90 U/C	
	4.0mm			EI 240 U/C	
	4 - 9.5mm			E 120 U/C	
					EI 90 U/C

Plastic Pipe Type	Page No.
U-PVC	1
<b>HDPE</b>	<b>2</b>
PP	3

<b>To be read in conjunction with:</b>	QWR WF Classification Report 360281/A Issue 5, Pages 56, 57, 61 & 62
<b>Test standard:</b>	BS EN1366-3:2009 & EN13501-2:2016
<b>Substrate minimum thickness:</b>	150mm
<b>First service support:</b>	≤250mm
<b>Drawing Scale:</b>	Not to Scale
<b>Issue Number:</b>	4
<b>Date of Issue:</b>	October 2021
<b>Detail Reference:</b>	QWR-CF150-01

### Important Information:

- The supporting construction must be installed in accordance with the manufacturer's guidelines and must be capable of achieving the required fire rating of the firestop.
- All Services should be adequately supported either side of the firestop to ensure that no load is transferred onto the firestop seal.

### Scope and Liability:

- Any Information provided by or on behalf of Quelfire Limited is provided for general information only. It is not intended to amount to advice on which you should rely. You must obtain professional or specialist advice before taking, or refraining from, any recommendation or action.
- The summary is not exhaustive and does not consider all issues relevant to the enquiry. It is limited to the information and time available to us. We have not verified any information made available to us by you or any other source, nor have we carried out a physical inspection of any property. We make no representations, warranties or guarantees, whether expressed or implied, that any information is accurate, complete or up to date.
- We do not accept a duty of care to you or any other person in respect of the enquiry, nor do we accept any liability to you or any other person for any loss arising out of or in connection with the enquiry or any reply provided by us. Different limitations and exclusions of liability arising as a result of the supply of any products or services by us to you, and these will be set out in our terms and conditions of supply, a copy of which is available on request.
- Full terms and conditions of sale are available at <https://www.quelfire.co.uk/terms-conditions-of-sale/>

# QWR-CF150-01

# Plastic Pipe penetrating a rigid floor (150mm or thicker)

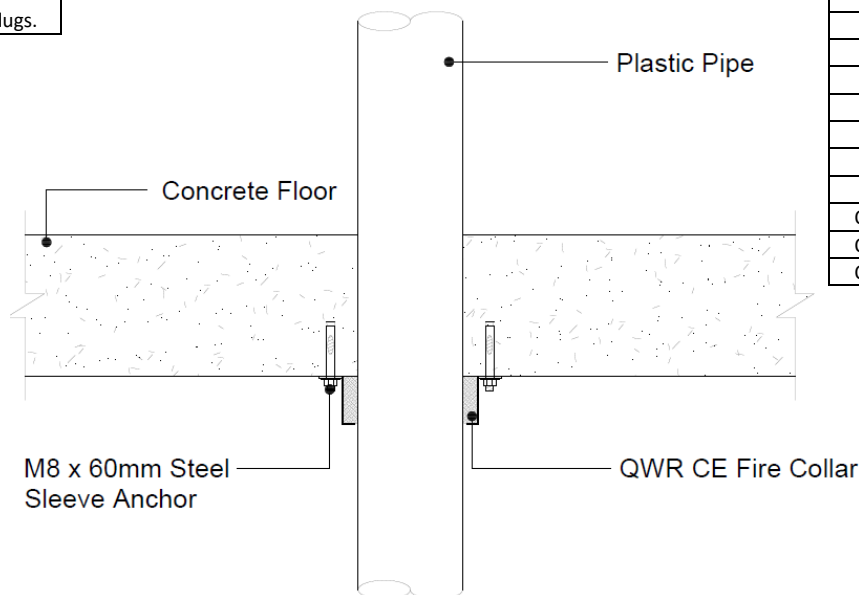


PROTECTING PEOPLE & PROPERTY

This standard detail is intended for general information only and all details should be checked against all relevant supporting test evidence, certification and installation guidelines. In line with the company's policy of continual development, details are subject to change and/ or withdrawal therefore you must ensure this is the latest published detail and instructions.

Additional Instructions	
The floor must have a minimum thickness of 150mm and comprise of concrete, aerated concrete or masonry, with a minimum density of 670kg/m <sup>3</sup> .	
The QWR Fire Collar is secured using M8 X 60mm Steel sleeve anchors through all fixing lugs.	

Quelfire Products Required	
Product Code	Description
QWR25/CE	Fire Collar for 25mm pipes
QWR32/CE	Fire Collar for 32mm pipes
QWR40/CE	Fire Collar for 40mm pipes
QWR50/CE	Fire Collar for 50mm pipes
QWR55/CE	Fire Collar for 55mm pipes
QWR63/CE	Fire Collar for 63mm pipes
QWR75/CE	Fire Collar for 75mm pipes
QWR82/CE	Fire Collar for 82mm pipes
QWR90/CE	Fire Collar for 90mm pipes
QWR110/CE	Fire Collar for 110mm pipes
QWR125/CE	Fire Collar for 125mm pipes
QWR160/CE	Fire Collar for 160mm pipes



Service Type	Size of Service	Pipe Wall Thickness	Recommend Hole Dia.	QWR Collar	Classification
PP	Ø25mm	1.8 - 3.7mm	Ø27mm	QWR25/CE	EI 240 U/C
	Ø32mm		Ø34mm	QWR32/CE	
	Ø40mm		Ø42mm	QWR40/CE	
	Ø50mm	2.0 - 3.5mm	Ø52mm	QWR50/CE	EI 180 U/C
		2.0 - 5.1mm			EI 120 U/C
	Ø55mm	2.0 - 3.5mm	Ø57mm	QWR55/CE	EI 180 U/C
		2.0 - 5.1mm			EI 120 U/C
	Ø63mm	2.7mm	Ø65mm	QWR63/CE	EI 180 U/C
		2.7 - 10.0 mm			EI 120 U/C
	Ø75mm	2.7mm	Ø77mm	QWR75/CE	EI 180 U/C
		2.7 - 10.0 mm			EI 120 U/C
	Ø82mm	2.7mm	Ø84mm	QWR82/CE	EI 180 U/C
		2.7 - 10.0 mm			EI 120 U/C
	Ø90mm	2.7mm	Ø92mm	QWR90/CE	EI 180 U/C
		2.7 - 10.0 mm			EI 120 U/C
	Ø110mm	2.7mm	Ø112mm	QWR110/CE	EI 180 U/C
2.7 - 10.0 mm		EI 120 U/C			
Ø125mm	3.1 - 8.2mm	Ø132mm	QWR125/CE	EI 120 U/C	
	3.1 - 9.7mm			EI 60 U/C	
Ø160mm	4.0mm	Ø160mm	QWR160/CE	EI 120 U/C	
	4.0 - 9.1mm			EI 60 U/C	

Plastic Pipe Type	Page No.
U-PVC	1
HDPE	2
<b>PP</b>	<b>3</b>

<b>To be read in conjunction with:</b>	QWR WF Classification Report 360281/A Issue 5, Pages 58, 59 & 61
<b>Test standard:</b>	BS EN1366-3:2009 & EN13501-2:2016
<b>Substrate minimum thickness:</b>	150mm
<b>First service support:</b>	≤250mm
<b>Drawing Scale:</b>	Not to Scale
<b>Issue Number:</b>	4
<b>Date of Issue:</b>	October 2021
<b>Detail Reference:</b>	QWR-CF150-01

### Important Information:

- The supporting construction must be installed in accordance with the manufacturer's guidelines and must be capable of achieving the required fire rating of the firestop.
- All Services should be adequately supported either side of the firestop to ensure that no load is transferred onto the firestop seal.

### Scope and Liability:

- Any Information provided by or on behalf of Quelfire Limited is provided for general information only. It is not intended to amount to advice on which you should rely. You must obtain professional or specialist advice before taking, or refraining from, any recommendation or action.
- The summary is not exhaustive and does not consider all issues relevant to the enquiry. It is limited to the information and time available to us. We have not verified any information made available to us by you or any other source, nor have we carried out a physical inspection of any property. We make no representations, warranties or guarantees, whether expressed or implied, that any information is accurate, complete or up to date.
- We do not accept a duty of care to you or any other person in respect of the enquiry, nor do we accept any liability to you or any other person for any loss arising out of or in connection with the enquiry or any reply provided by us. Different limitations and exclusions of liability arising as a result of the supply of any products or services by us to you, and these will be set out in our terms and conditions of supply, a copy of which is available on request.
- Full terms and conditions of sale are available at <https://www.quelfire.co.uk/terms-conditions-of-sale/>