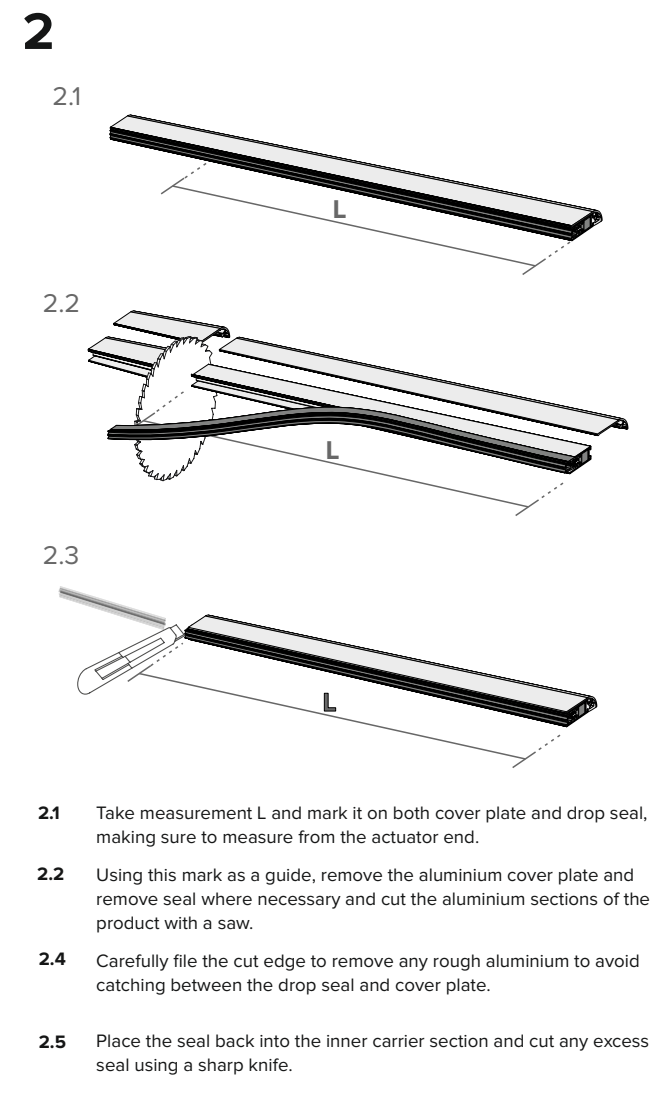
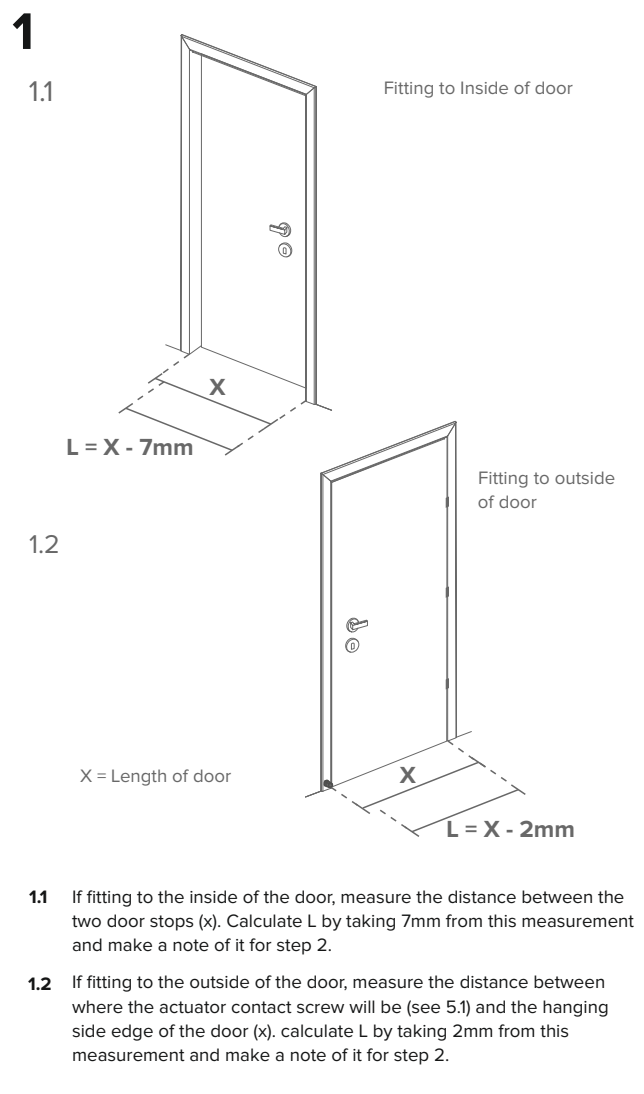
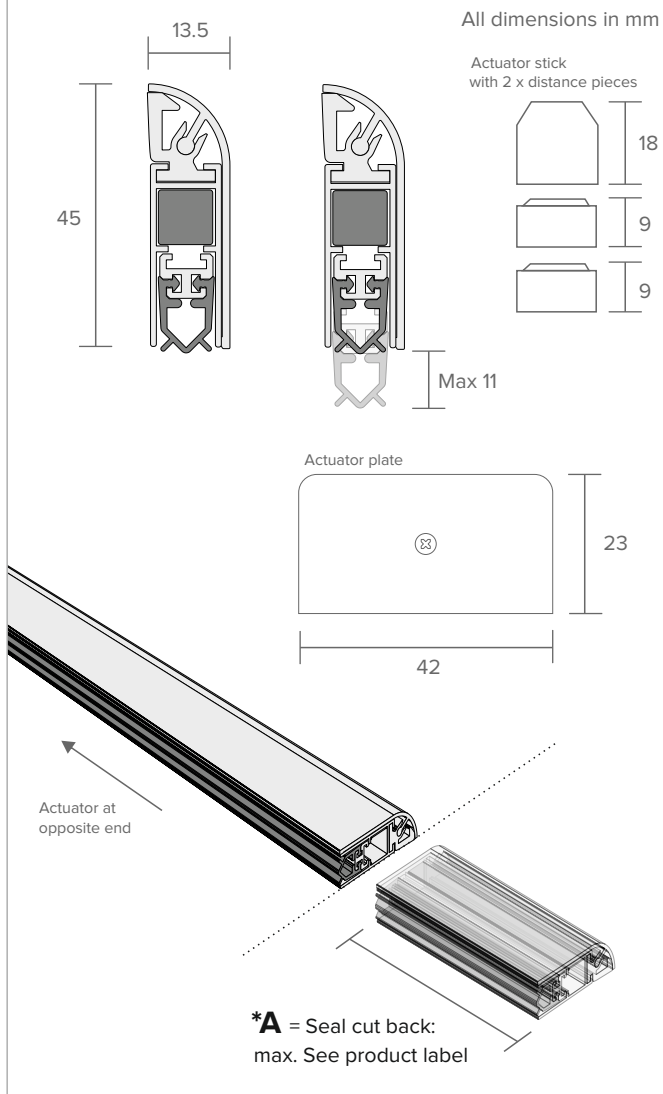


Tools

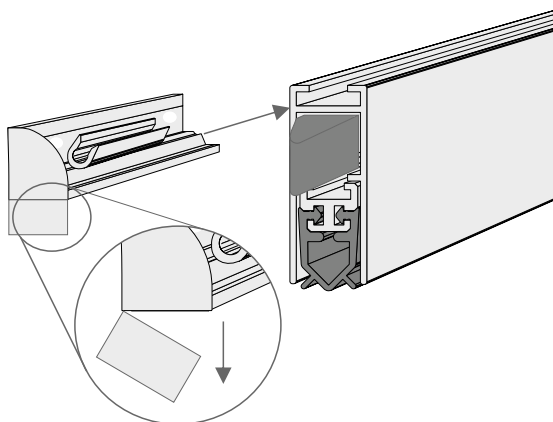


Included:
1 x NOR820 Automatic drop seal
1 x Aluminium cover plate
1 x Actuator plate
Fixing screws

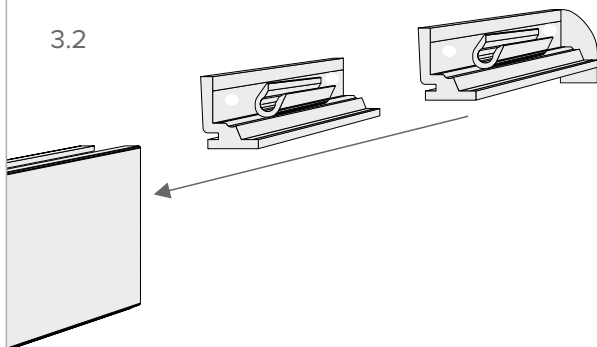


3

3.1



3.2

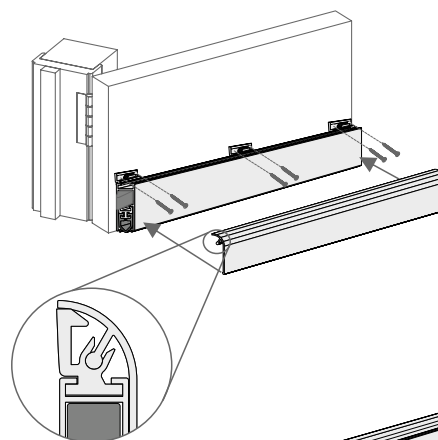


3.1 Take one of the plastic pieces and push it into the inner section. This plastic piece can be used either way round depending on which side of the door the product is fitted. Remove the small plastic piece that obstructs the actuator.

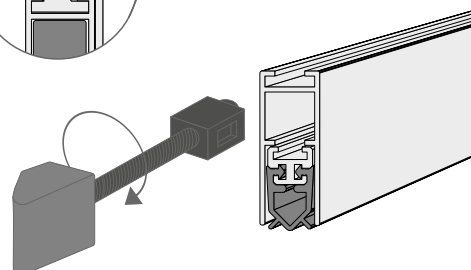
3.2 Push the two plastic pieces into the other end of the product, starting with the middle section and sliding it to a central position.

4

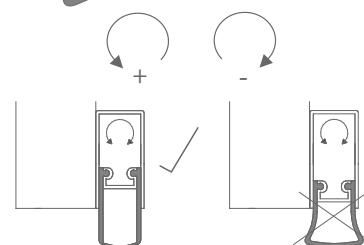
4.1



4.2



4.3



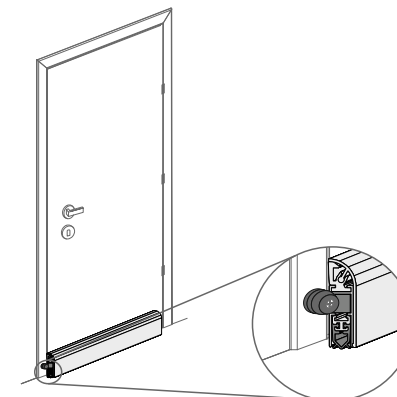
4.1 Fit the product flush to the door bottom by using the screws provided to fix through the holes in the plastic pieces. Once the product is attached to the door, clip the cover plate on top using the fixing method shown.

4.2 The actuator can be removed and switched to face the other way. Make sure that the actuator is in the correct position to close against the frame.

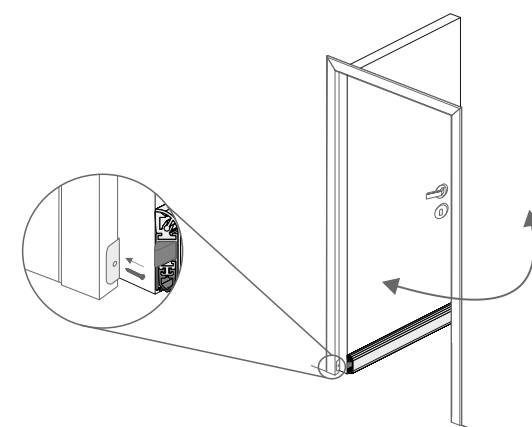
4.3 By hand, twist the actuator anti-clockwise to increase seal travel (if the seal does not fully cover the gap) or twist it clockwise to reduce seal travel (in order to avoid squashing the seal).

5

5.1



5.2



5.1 If fitting to the outside of the door, make sure to fit the actuator stick to the door frame so that when the door closes, the actuator contacts with it and drops the seal. Ensure correct contact using optional distance pieces.

5.2 Scw fix actuator plate to door frame as shown. Open and close the door to test that the seal drops correctly. Repeat step 4.3 and test again if further adjustment required.

For copy fitting instructions visit norsound.com/fitting