

Installation Instructions:

1. Ensure within aperture is clean and free of debris, loose cement, and remove all dust from surfaces requiring installation.
2. For option 1, install FF197 to full depth of frame. For option 2, install either fire rated or builders' foam (as a backing material) allowing a minimum of 17.5mm depth to each face and install FS702 Intumastic (FS703 Fire Resistant Silicone Sealant instead if exposed to UV).
3. Clean excess FS702 Intumastic or FS703 Fire Resistant Silicone Sealant with a damp cloth.
4. Install architrave.

Backing Material can be rock fibre, PU rod, or foam (builders or fire rated).

Detail 1 Limitations

Max span 35mm

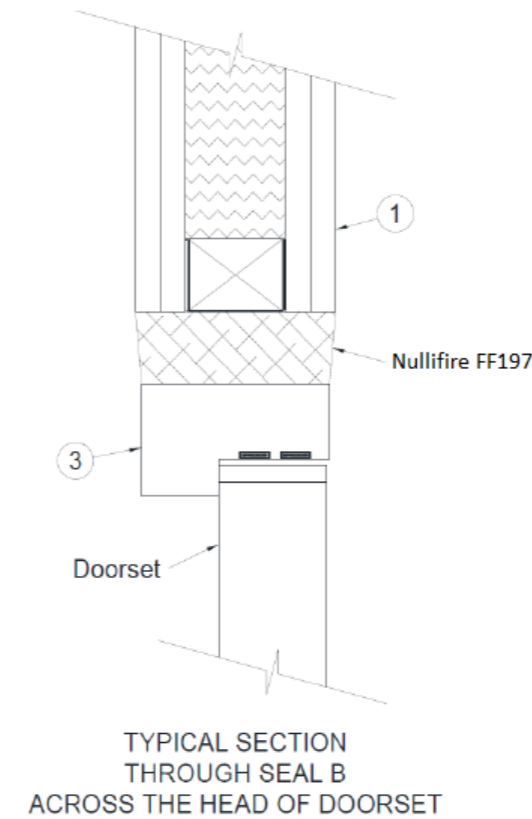
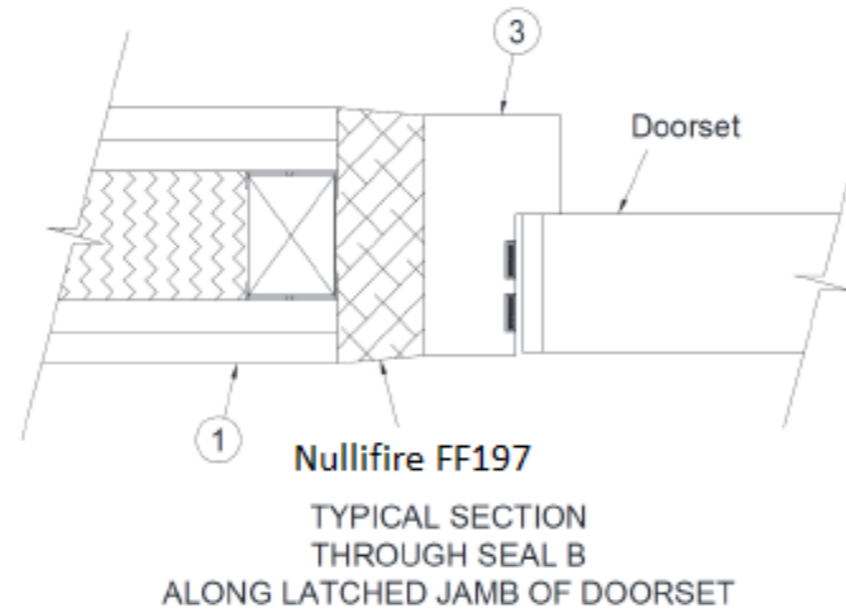
Minimum span- where full fill can be achieved.

Detail 2 Limitations

Max span 35mm

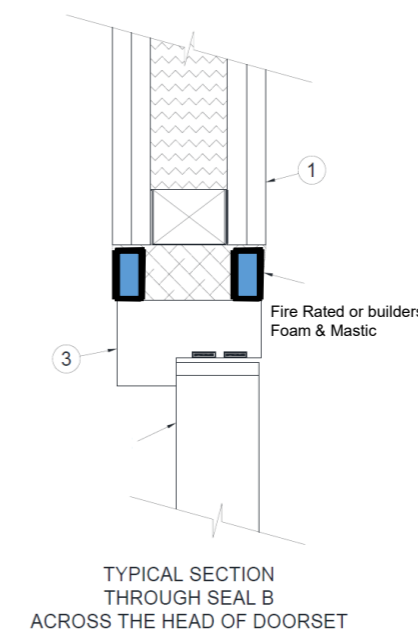
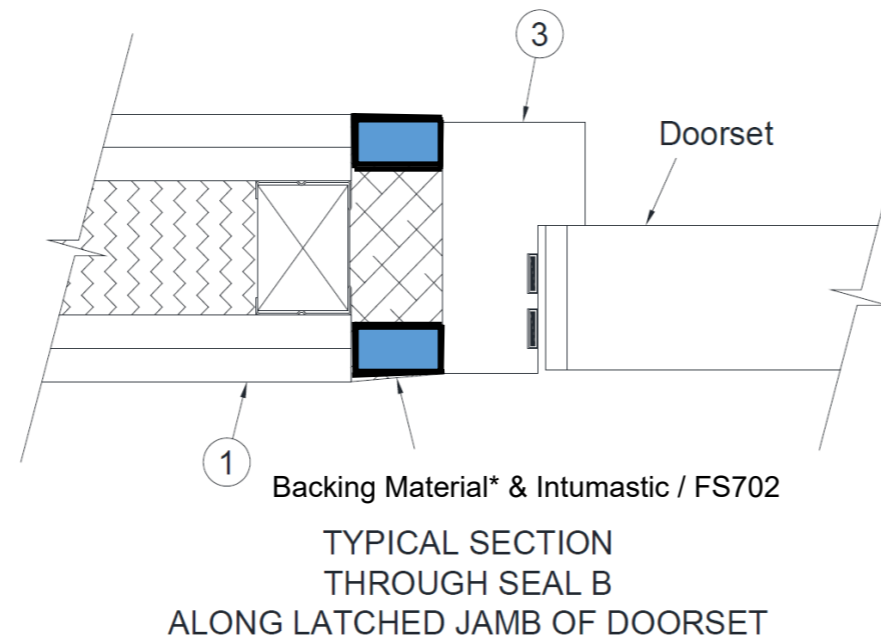
Minimum span—where minimum depth of 17.5mm of mastic can be achieved with foam/backing rod present or standard builders foam.

1 EI60



3mm FS703 Fire Resistant Silicone Sealant coating to both sides if exposed to UV.

2 EI120



Additional Notes:

The published fire ratings have been achieved by following the instructions set out above. Use of alternative components or deviations from the instructions in any way will remove Firetherm from any design liability. Firetherm will accept no responsibility for the consequences of using Firetherm products in applications or for the purposes not authorised by Nullifire. Expert advice should be sought where such applications are contemplated. The information contained within this drawing is believed to be correct on the date of publication, and is based upon tested and certified solutions. The policy of Nullifire is one of constant improvement. Installers must therefore ensure that they are following the latest published drawings and instructions. Whilst Nullifire will endeavour to keep its publications up to date, the accuracy of the information contained within this drawing may be affected by pertinent changes in the law or regulatory requirements and alterations or amendments to the specification of Nullifire products.

The published fire ratings have been achieved by following the instructions set out above. Use of alternative components or deviations from the instructions in any way will remove Nullifire from any design liability. Nullifire will not accept responsibility for the consequences of the using our products in applications or purposes not authorised by Nullifire. Expert advice should be sought where such applications are contemplated. The information contained within this drawing is believed to be correct on the date of publication, and is based upon tested and certified solutions. The policy of Nullifire is one of constant improvement. Installers must therefore ensure that they are following the latest published drawings and instructions. Whilst we will endeavour to keep our publications up to date, the accuracy of the information contained within this drawing may be affected by pertinent changes in the law or regulatory requirements and alterations/amendments to the specification of Nullifire products.

For more information, please contact a member of our technical team on: firestoppinghelp@cpgeurope.com

Test Information:

Standard (Ref): BS 476 parts 20-22
BS EN 1634-1

Products: FF197 FIRE RATED PU FOAM,
FS702 INTUMASTIC,
FS703 FIRE RESISTANT SILICONE SEALANT

Fire Resistance: Detail 1- (Tested)
Integrity (E) 60 mins
Insulation (I) 60 mins

Detail 2-(UL Assessment)
Integrity (E) 120 mins
Insulation (I) 120 mins

Client and Job Title:

Drawing Title:

FIRE SEALING DOOR FRAMES

Drawing Reference No:

TI-BG-V1507

Additional Information:

Scale: NTS

Date: January 2021

Sheet Size: A3

Drawn By:

Drawing No:

Rev: 1.1