



DROP DOWN FIRE DOOR SEALS



DROP DOWN DOOR SEALS

ABOUT CCE

Founded in 1980, CCE has been operating for more than 30 years, specialising in drop down seals for both fire, smoke and acoustic capabilities.

Based out of Italy, CCE products are known for their top quality and dedication to research and development.

At Fire Seals Direct we stock a range of CCE's most popular drop down seals, including both rebated and surface mounted designs to suit your project.

DESCRIPTION

An extensive range of high performance drop down seals designed to meet the needs of approved document E of UK building regulations.

These seals are designed to fit along the bottom of a fire door and work in unison with a latch on the frame. Once the door closes, a mechanism is activated whereby a seal drops down and covers the gap underneath the door to reduce the passage of smoke.

As well as smoke, they also form an effective barrier against fire, noise, light, draughts, and insects.

CCE Drop down seals are available in a wide range of sizes and can be cut down by up to 150mm to suit the width of your fire door.

FITTING

Surface mounted seals are easy to install. They are cut down to the door width, attached to the door using the pre-fitted screws, and adjusted for a tight fit to the floor with the 3 mm Allen key screw located in the plunger cap.

Rebated models have easily removed mechanisms to prevent damage during installation. This also assists in removing the rubber seal in case of accidental damage.

Slide the rubber seal/mechanism out from the plunger side and replace as necessary. The fixing screws must be fully screwed or taken out to allow the mechanism to be removed.

FEATURES & BENEFITS

- European manufactured
- Simple, cost effective installation
- Tested with and without threshold plates
- Tested straight down to carpet
- Meet regulations relating to disability, access and energy conservation

KEY: SYMBOLS FOR PRODUCT FEATURES



SMOKE



FIRE



SOUND



LIGHT



DDA



DRAUGHT



INSECTS



APPLIQUE 37

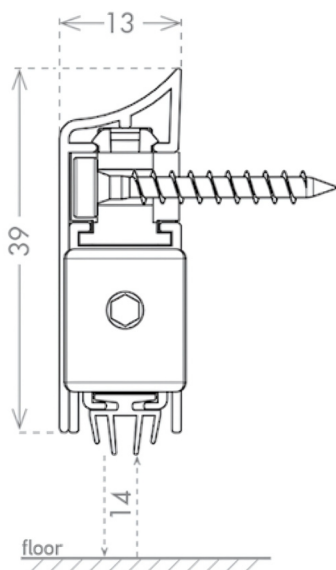


FEATURES & BENEFITS

- Surface mounted model
- 14mm maximum drop
- Suitable for timber doors
- Satin Anodised Aluminium finish
- Seal drops on hinge side before lock side
- Galvanised steel flat springs and reinforced actuators
- 4-fin 'V' zero class PVC rubber seal, self extinguishing
- Can be fitted inside (lock side using bumper provided), or outside of the door (non lock side)
- Suitable for wheeled traffic
- Endurance tested to 200,000 cycles
- Screws supplied

TEST EVIDENCE

- Fire tested to BS476: Part 20/22: 1987 to 60 minutes
- Fire tested to BS EN 1634-1:2014
- Smoke tested to BS EN 1634-3: 2004
- Acoustic tested to BS EN ISO 140-3:1995 achieving 29 dB Rw
- Certifire CF5995



LENGTH	MAXIMUM TRIMMED LENGTH
330mm	310mm
430mm	310mm
530mm	380mm
630mm	480mm
730mm	580mm
830mm	680mm
930mm	780mm
1030mm	880mm
1130mm	980mm
1230mm	1080mm

SUPERIOR

FEATURES & BENEFITS



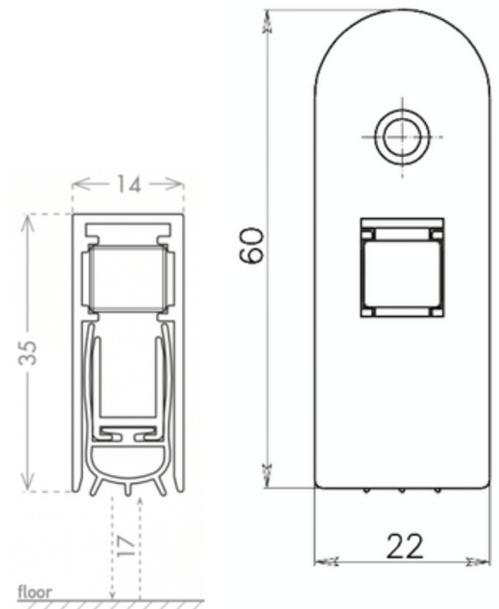
- Rebated model
- 17mm maximum drop
- Suitable for single swing timber doors
- Aluminium alloy external profile
- Steel bracket fastening system
- Extractable nylon plunger with adjustable spring
- Self-extinguishing therm type high quality co-extruded seal
- For use on both right and left handed doors
- Suitable for wheeled traffic
- Endurance tested to 200,000 cycles
- Screws supplied



TEST EVIDENCE

- Fire tested to BS476: Part 20/22: 1987 to 120 minutes
- Smoke tested to BS EN 1634-3: 2004
- Acoustic tested to BS EN ISO 10140: Part 1/2 achieving 48 dB Rw
- Certifire CF5995

LENGTH	MAXIMUM TRIMMED LENGTH
330mm	280mm
430mm	295mm
530mm	380mm
630mm	480mm
730mm	580mm
830mm	680mm
930mm	780mm
1030mm	880mm
1130mm	980mm
1230mm	1080mm



TREND

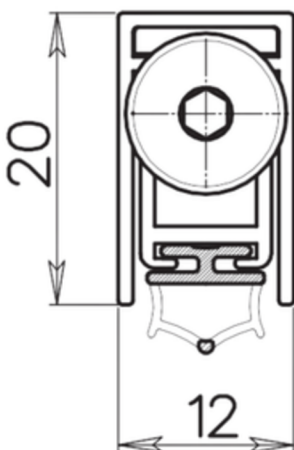


FEATURES & BENEFITS

- Rebated model
- 14mm maximum drop
- Slimline
- Suitable for timber doors
- Aluminium alloy external profile
- Seal drops on hinge side before lock side
- Self-directing articulated metal plunger with nylon cap
- Co-extruded self-extinguishing thermoplastic seal
- Suitable for wheeled traffic
- Endurance tested to 200,000 cycles
- Screws supplied

TEST EVIDENCE

- Smoke tested to BS EN 1634-3: 2004
- Acoustic tested to BS EN ISO 140-3:1995 achieving 39 dB Rw
- Certifire CF5995



LENGTH	MAXIMUM TRIMMED LENGTH
330mm	280mm
430mm	295mm
530mm	330mm
630mm	430mm
730mm	530mm
830mm	630mm
930mm	730mm
1030mm	830mm
1130mm	930mm
1230mm	1030mm