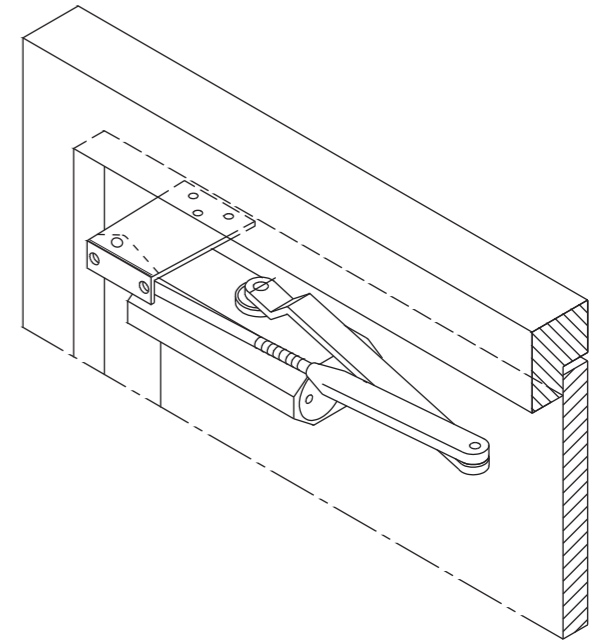


Size:393x211mm

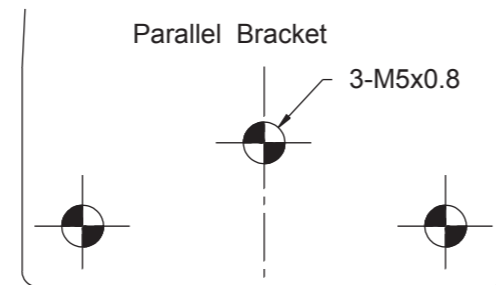
PARALLEL ARM INSTALLATION FOR ANTI CLOCKWISE OPENING DOOR FOR CLOCKWISE OPENING DOOR SEE THE BACK PAGE

This template covers regular parallel arm installations to 180° openings.

This door closer unit is a Non CE Marked product and is Not suitable for fire resistant doors.



This face to
underside of frame
head



Model NO.	Approximate Door Size (Width)		Max.Door Weigth
	Interior	Exterior	
2	830 mm	Not Recommended	45 KG
3	950 mm	830 mm	60 KG
4	1030 mm	930 mm	80 KG
5	1130 mm	1030 mm	110 KG
6	1330 mm	1130 mm	150 KG

FOLD HERE

Set to underside of frame head

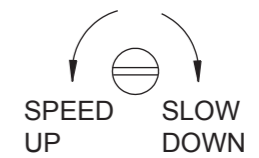
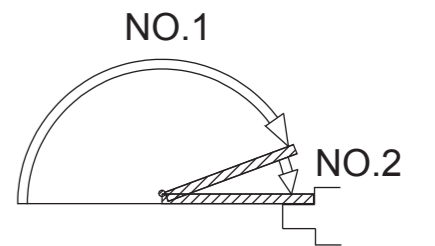
Set this end to the left of door

4-M5xP0.8

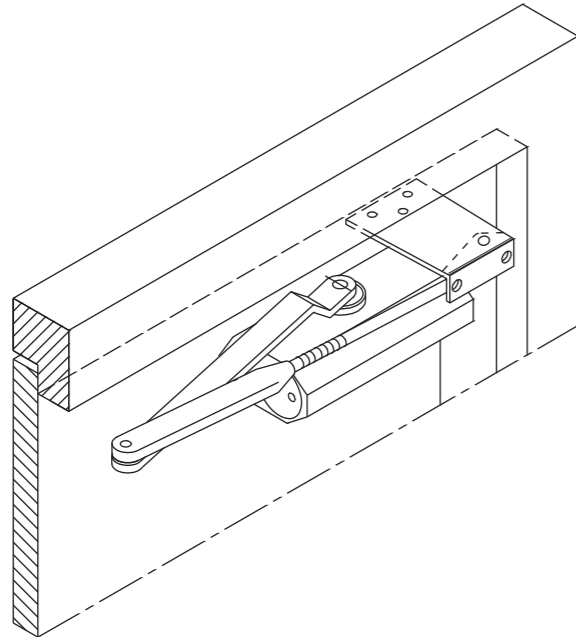
PARALLEL ARM INSTALLATION
FOR ANTI CLOCKWISE OPENING DOOR
(CLOSER MOUNTED ON DOOR ON PUSH SIDE)

NO.1

NO.2



SPEED ADJUSTING VALVE

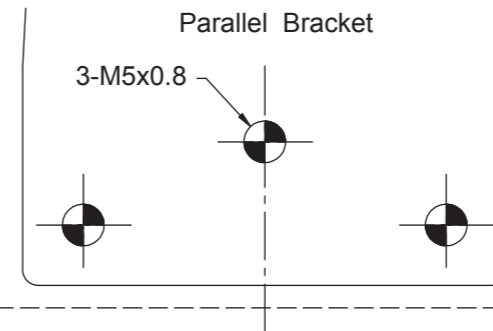


PARALLEL ARM INSTALLATION FOR ANTI CLOCKWISE OPENING DOOR FOR CLOCKWISE OPENING DOOR SEE THE BACK PAGE

This template covers regular parallel arm installations to 180° openings.

This door closer unit is a Non CE Marked product and is Not suitable for fire resistant doors.

Model NO.	Approximate Door Size (Width)		Max. Door Weigh
	Interior	Exterior	
2	830 mm	Not Recommended	45 KG
3	950 mm	830 mm	60 KG
4	1030 mm	930 mm	80 KG
5	1130 mm	1030 mm	110 KG
6	1330 mm	1130 mm	150 KG

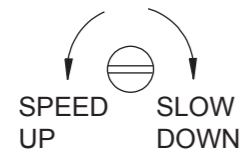
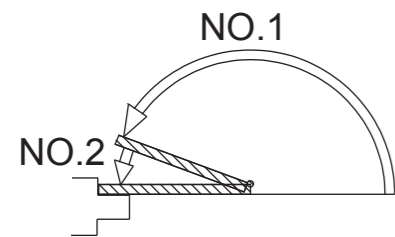


This face to underside of frame head

FOLD HERE

Set to underside of frame head

Set this end to the left of door



SPEED ADJUSTING VALVE

