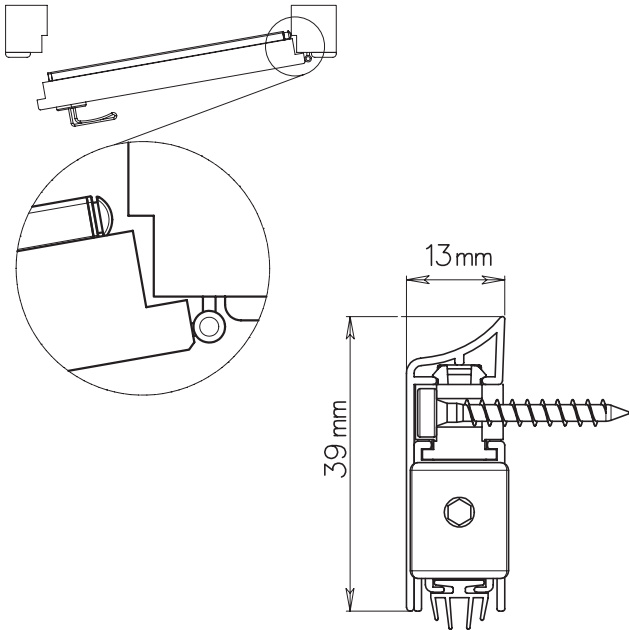


**FITTING WITH PLUNGER ON HINGE SIDE**



**CONTENTS**

- Applique
- 6 x screws
- Closing plug
- End caps

**TOOLS REQUIRED**

- Saw
- Tape measure
- Pencil/marker
- Screw driver
- 3mm allen key
- Drill and drill bit
- Scissors, knife or snips

**CUT BACK SIZE ALLOWANCE**

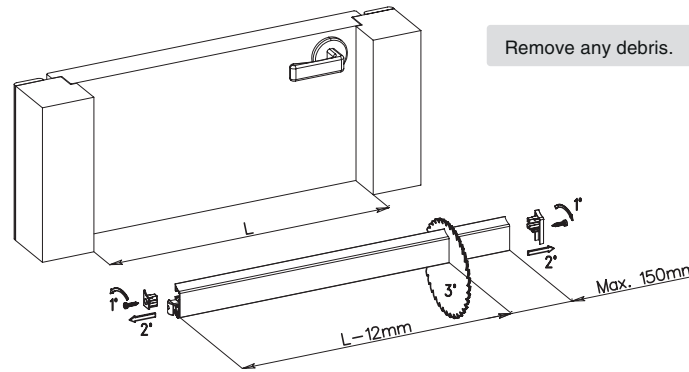
Up to 150mm on the opposite side to the plunger.  
 Except length 330 can be shortened by 20mm,  
 length 430 can be shortened by 120mm.

**1**

Measure the distance between the door stops (L).

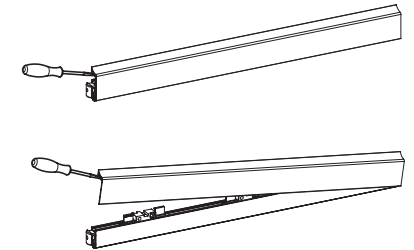
Using a power/hack saw, cut to measured length minus an additional 12mm for end caps and clearance.

Remove any debris.



**2**

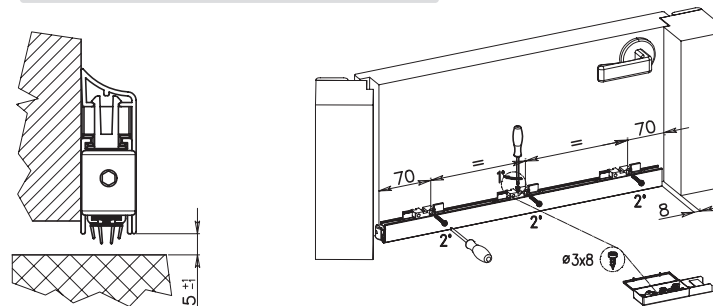
Remove the aluminium cover plate.



**3**

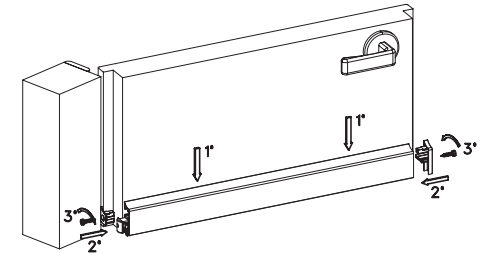
Fit the product flush to the bottom of the door and screw through the holes in the plastic pieces with the screws provided (1 screw in each plastic piece).

Ensure there is an 8mm gap between the seal and the door frame (lock side).



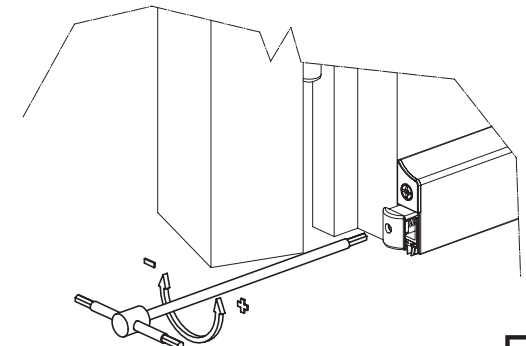
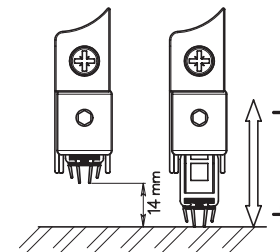
**4**

Clip the cover plate back on, and fit end caps in place with the screws provided.

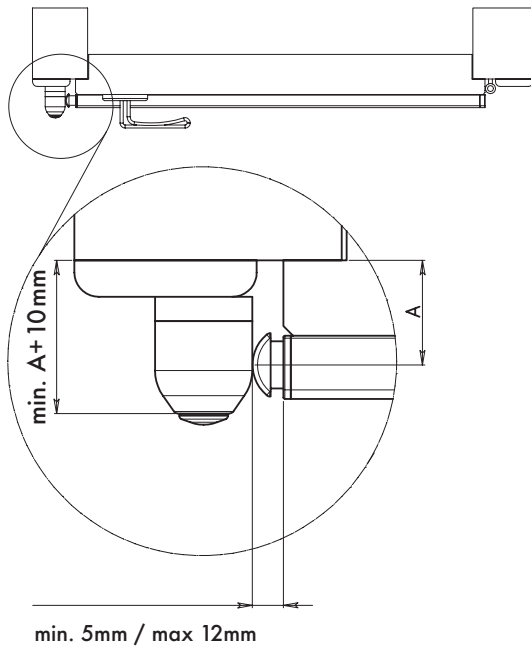


**5**

Rotate the plunger accordingly to adjust the seal travel, ensuring it makes contact with the floor without squashing the seal.



**FITTING WITH PLUNGER ON LOCK SIDE**



**CONTENTS**

- Applique
- 6 x screws
- Closing plug
- End caps

**TOOLS REQUIRED**

- Saw
- Tape measure
- Pencil/marker
- Screw driver
- 3mm allen key
- Drill and drill bit
- Scissors, knife or snips

**CUT BACK SIZE ALLOWANCE**

Up to 150mm on the opposite side to the plunger.  
 Except length 330 can be shortened by 20mm,  
 length 430 can be shortened by 120mm.

**1** Measure the distance between the door stops (L).  
 Using a power/hack saw, cut to measured length minus an additional 6mm for end caps and clearance.  
 Remove any debris.

**2** Remove the aluminium cover plate.

**3** Fit the product flush to the bottom of the door and screw through the holes in the plastic pieces with the screws provided (1 screw in each plastic piece).  
 Screw the closing plug to the door frame.

**4** Clip the cover plate back on, and fit end caps in place with the screws provided.

**5** Rotate the plunger accordingly to adjust the seal travel, ensuring it makes contact with the floor without squashing the seal.  
 The plunger must contact the closing plug to activate the seal.

